

portman

pocket door systems



OPENING POSSIBILITIES



RT

# OPENING POSSIBILITIES FOR FUTURE GENERATIONS

---

For over 100 years Royde and Tucker has been supplying and manufacturing architectural hardware including our revolutionary HI-LOAD architectural hinges.

Today Royde and Tucker Architectural Hardware and its sister brands Portman Pocket Doors and Cadwell Green Doors design, manufacture and provide door solutions to building owners, architects, consultants, contractors and homeowners in the UK and throughout the world.

---

## MISSION

Providing impressive entrances with our high-quality, aesthetically pleasing custom-built door hardware, crafted by our dedicated and engaged employees.

## VISION

To be the recognised experts creating unique, high-quality, stylish, sustainably crafted entrances, delivering safety, security and comfort for users and owners alike.

---

## OUR BRANDS

---



architectural  
hardware

### ROYDE AND TUCKER

Royde & Tucker is a UK manufacturer of precision engineered hinges and ancillary architectural hardware, including the industry leading HI-LOAD range of architectural hinges.

---



pocket door systems

### PORTMAN POCKET DOORS

The adjustable, space making pocket door system specialising in oversized and high-performance requirements.

---



bespoke doorsets

### CADWELL GREEN

The concept behind Cadwell Green Doors is to offer, as far as possible, a "one-stop-shop" solution and door supplier to specifiers' bespoke requirements.

---



## PORTMAN POCKET DOOR SYSTEMS

---

In the UK there is an increasingly stark requirement for high quality housing, however, as population densities increase and average property sizes decrease, the need to develop innovative ways of utilising the finite space available is facilitating the development of new products and solutions.

The Portman Pocket Door system is ideal where design flexibility and space saving are of prime importance. Being able to slide a kitchen, bedroom or bathroom door within a wall and out of the way saves about 6% of the overall floor area or 10 sq ft per door.

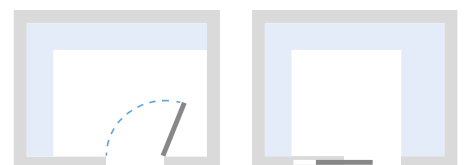
Designed and produced in the UK, the Portman Pocket Door system comprises the latest sliding door technology, quality robust components and an exceptionally easy installation.

With Portman, specifying pocket door options is easy. Any standard timber door blank or frameless glass panel can be used and there are no bottom rails mounted into the flooring creating a dust trap or trip hazard. Door leaves are held in place to prevent wobble or sway. High quality rollers and bearing surfaces will provide years of maintenance free service and consistent high performance.

---

### TYPICAL INSTALLATIONS

- A single door leaf (e.g. a kitchens or bathrooms)
- Two doors converging/bi-parting (e.g. as lounge dining room dividers). These can also be opened/closed simultaneously.
- Large leaves can be used as screens to separate bedroom and living areas and facilitate flexible/open plan schemes whilst allowing users to maintain privacy when needed.



# THE BENEFITS

---

The Portman proposal is unique. A patented design uses the latest developments in materials engineering in a combination that maximises wall and cassette stability, provides for easy flexible installation and unrivalled aesthetic detailing.

- The Portman cassette is constructed from specially designed 'Z' section profiles. As any architect or engineer knows, strength is best derived from a materials profile.

The Portman sections slide within each other to provide not only a flexible width cassette but one which is also easily height adjustable.

- The Portman track mounting unit is constructed from timber laminate which reduces noise and vibration as opposed to traditional metal profile sections which often result in a "tinny" tactile experience.
- White aluminium track provides for a discreet aesthetic finish, further reducing the impact of the door-set. This is of particular use when installing full height doors fitted flush with the ceiling.
- The unique track profile incorporates trolley stabilising ridges within the design.
- Die cast roller bodies are light and strong. Delrin wheels incorporate a ball race for exceptionally fluid motion. Delrin covered wheels offer high tensile strength, impact resistance and exceptional fatigue endurance. Delrin resists moisture, solvents and potentially damaging atmospheric conditions, it also maintains its natural lubricity throughout its life.
- Bespoke timber door lining profiles are moulded from Poplar, sourced from sustainable suppliers. Poplar is a highly stable and readily available hardwood with few imperfections. Poplar can be very accurately moulded in long lengths, ideal for tall elevations.

---

## STANDARD SPECIFICATIONS

- Door leaves up to 2700mm high as standard
  - Individual door leaf widths up to 1500mm
  - Individual door leaves of up to 80Kg
  - Timber/framed door leaves up to 44mm thick or frameless glass 8-12mm thick
- 



# EASE OF USE & ACCESSIBILITY

## REDUCING BARRIERS

For most people, opening a manual door is a combination of gripping and depressing a lever handle, pulling/pushing whilst 'side stepping' the arc of the door and then moving forwards or backwards with the door.

To carry out this exercise is much harder if the user has, for example, poor grip, reduced muscle power and balance. Getting close enough to, or reaching for, the handle can be difficult. Harder again, if one has to move ones body or mobility aid out of the path of the door as one is trying to open it, and indeed hold it open whilst trying to pass through.

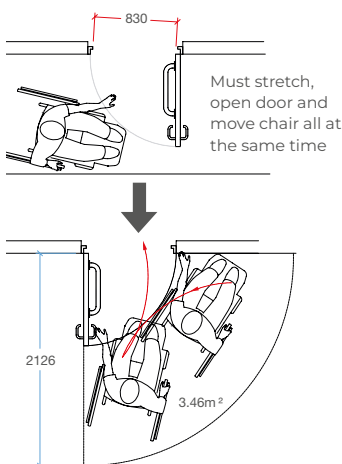
This is compounded, yet again if the hands are needed to hold a cane or crutches, move a wheelchair or frame. Other factors increasing the degree of difficulty include door closers, small lobbies, narrow corridors and small clear opening widths.

Little wonder that, to many people – a door is a significant barrier.

The Portman Pocket Door System reduces some of the typical swing door barriers presented to disabled people, thereby making buildings and dwellings more independently accessible or 'inclusive'.

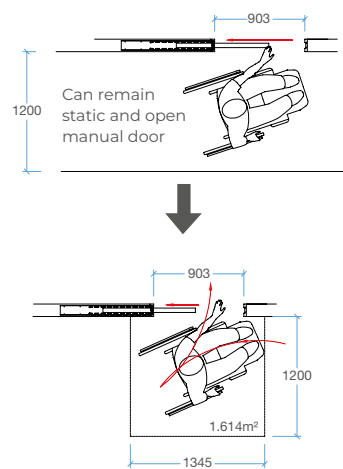
### STANDARD DOOR

A minimum of 1.85m<sup>2</sup> additional floor area is required for a standard indoor manual wheelchair. User must be able to operate the door and manoeuvre chair simultaneously.



### POCKET DOOR

Wheelchair can remain stationary during door opening.



These benefits are evident in several areas:

### CLEAR OPENING WIDTHS

Portman door width options give access to the full range of wheelchair users as defined by the BS 8300. The 'wide' option is especially good for 90° turns for larger wheelchairs, assistant pushed and battery power chairs – important because a minimum statutory corridor width is 1200mm in buildings (900mm in dwellings) and a wheelchair/scooter can be 1520mm to 1600mm long. The 'standard' 626–926 width option can also be useful for ambulant disabled people with limited reach due to the comparatively small movement required to operate the door.

### SLIDING LEAF

When opening/closing the door leaf slides into a pocket. It does not swing into the space adjacent to the door face, thereby allowing:

The user to remain stationary whilst opening the door, avoiding having to move him/herself and his/her mobility aid beyond the leading edge of a swinging door leaf.

Providing an alternative solution to the AD 'M' requirement for WC compartment doors, (and doors to wheelchair-accessible sanitary provision), to open outwards in an emergency. If a user collapses behind the door, it can simply be slid open.

Avoiding door projection into adjacent corridor circulation or escape routes.

### USER OPERATION

For manual opening/closing of the door Portman recommend leaving a portion of the door leaf proud of the pocket (in the fully open position) and the use of projecting handles. This arrangement has the dual benefits of the easily opened pocket door and easily operated door furniture, for e.g. those with dexterity problems. For guidance on laying out for this type of door-set please contact the sales office.



## CONTENTS

### DOOR KITS

Standard kit   P7001	8
Architrave free kit   P7300	10
Shadow gap kit   P7001 SG	12
Telescopic doorset   P7401	14
Portman power kit   PWSS	16
Standard fire rated kit   FD30	18

### TECHNICAL

Fire legislation	20
------------------	----

### DOORS

Flush	22
2 panel shadow gap	22
4 panel recessed	23
4 panel shaker	23
Vertical boarded door	24
Glazed door	24
Door finishes	25

### HANDLES

Architectural bathroom set	26
Architectural flush pulls	26
Architectural circular twist & turn lock	27
Architectural circular flush pulls	27
Leading edge pull	28
Pull out handle	28

### SELF CLOSERS & DAMPERS

Catch-n-close damper unit	30
Self closers	30

### GENERAL ACCESSORIES

Touch latch   P7598	31
Wall reinforcing kit   P5700	31
Simultaneous operation kit	31

### ACCESSORIES

Frameless glass   Door clamps	32
Frameless glass   Timber jambs	33



## STANDARD KIT | P7001

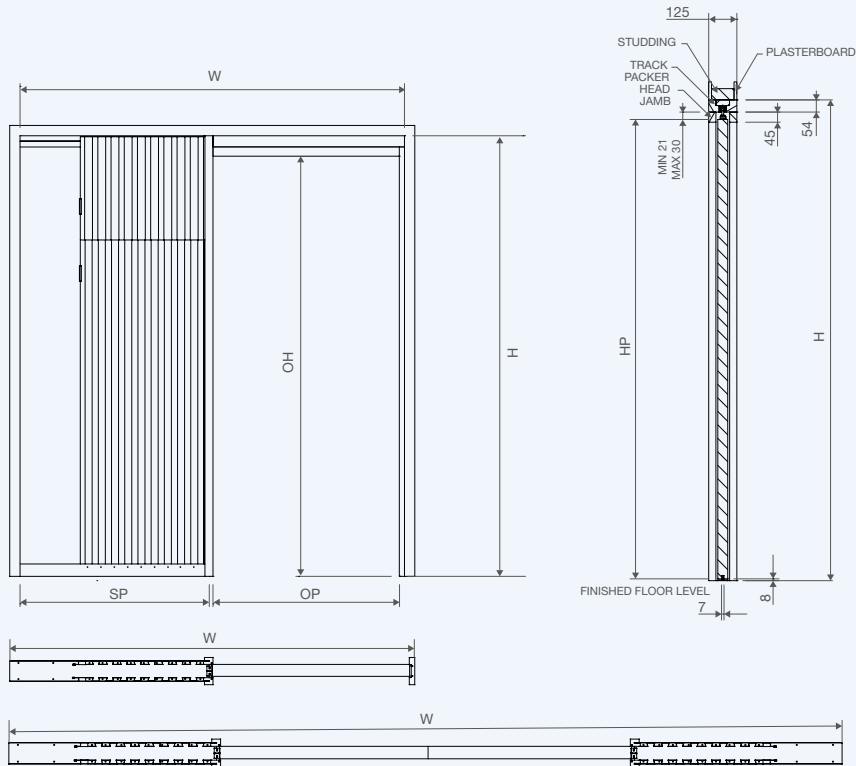
---

Our kits are modular with two heights and three widths as standard. The necessary wall aperture dimensions for the single or double Portman pocket door kits can be derived from the calculations and elevations shown on page 9.

Portman Standard Kits - our standard P7001 kits include top fixed door brackets and poplar door linings as well as all the structural components for creating your pocket.

To choose, decide what is your constraining factor. Either the door leaf size OR the available wall aperture will decide what should be specified. Use the calculations below to derive the correct wall aperture or door leaf. For doors over 2700mm high or 1500mm wide, please contact the sales office. Self-closing/damper units and furniture as well as touch latches can be found in accessories. For doors over 2400mm high the use of the P5700 reinforcing kit is recommended.





## SINGLE DOOR

(max. door thickness 44mm)

**To calculate studwork width and height from known door dimensions:**

Studwork width (W) = 2 x Door width (WP) + 66mm

Studwork height (H) = Door height (HP) + 85mm

**To calculate door size from known studwork dimensions:**

Door width (WP) = (Studwork width (W) - 66mm) / 2

Door height (HP) = Studwork height (H) - 85mm

**Door size opening dimensions:**

Door width (WP) = Door opening width (OP) + 23mm

Door height (HP) = Door opening height (OH) + 4mm

**To calculate door opening width and height from known door dimensions:**

Door opening width (OP) = Door width (WP) - 23mm

Door opening height (OH) = Door height (HP) - 4mm

## KITS

**Standard height (up to 2100mm)**

Standard width door leaf  
P7001 SD 626–926mm wide

Intermediate width door leaf  
P7001 ID 927–1300mm wide

Wide width door leaf  
P7001 WD 1301–1500mm wide

**Tall height (up to 2700mm)**

Tall door leaf  
P7001 TD 626–926mm wide

Tall/Intermediate width door leaf  
P7001 ITD 927–1300mm wide

Tall/Wide door leaf  
P7001 WTD 1301–1500mm wide

## DOUBLE DOORS

(max. door thickness 44mm)

**To calculate studwork width and height from known door dimensions:**

For double doors: (W) = 4 x (WP) + 94mm

For double doors: (H) = (HP) + 85mm

**To calculate door size from known studwork dimensions:**

For double doors: (WP) = (W) - 94mm / 4

For double doors: (HP) = (H) - 85mm

**Door size opening dimensions:**

For double doors: (WP) = (OP) + 34mm / 2

For double doors: (HP) = (OH) + 4mm

**To calculate door opening width and height from known door dimensions:**

For double doors: (OP) = 2 x (WP) - 34mm

For double doors: (OH) = (HP) - 4mm

## KITS

**Standard height (up to 2100mm)**

Standard width door leaf  
P7001 SDD 626–926mm wide

Intermediate width door leaf  
P7001 IDD 927–1300mm wide

Width door leaf  
P7001 WDD 1301–1500mm wide

**Tall height (up to 2700mm)**

Tall door leaf  
P7001 TDD 626–926mm wide

Tall/Intermediate width door leaf  
P7001 ITDD 927–1300mm wide

Tall/Wide door leaf  
P7001 WTDD 1301–1500mm wide

## + COMPATIBLE ACCESSORIES

- Architectural flush pulls
- Architectural bathroom set
- Pop out pull handle
- Leading edge pull
- Touch latch
- Catch-n-close damper unit
- Self closer
- Self closer with 24V DC EM hold back
- Self closer with 230V DC EM hold back
- Simultaneous operation kit
- Wall reinforcing kit

## ▢ STANDARD DOOR LEAVES

- Flush
- 2 Panel shadow gap
- 4 Panel recessed
- 4 Panel shaker
- Vertical boarded door
- Glazed door

## ▶ MORE INFORMATION

- Website
- Installation instructions
- CAD files





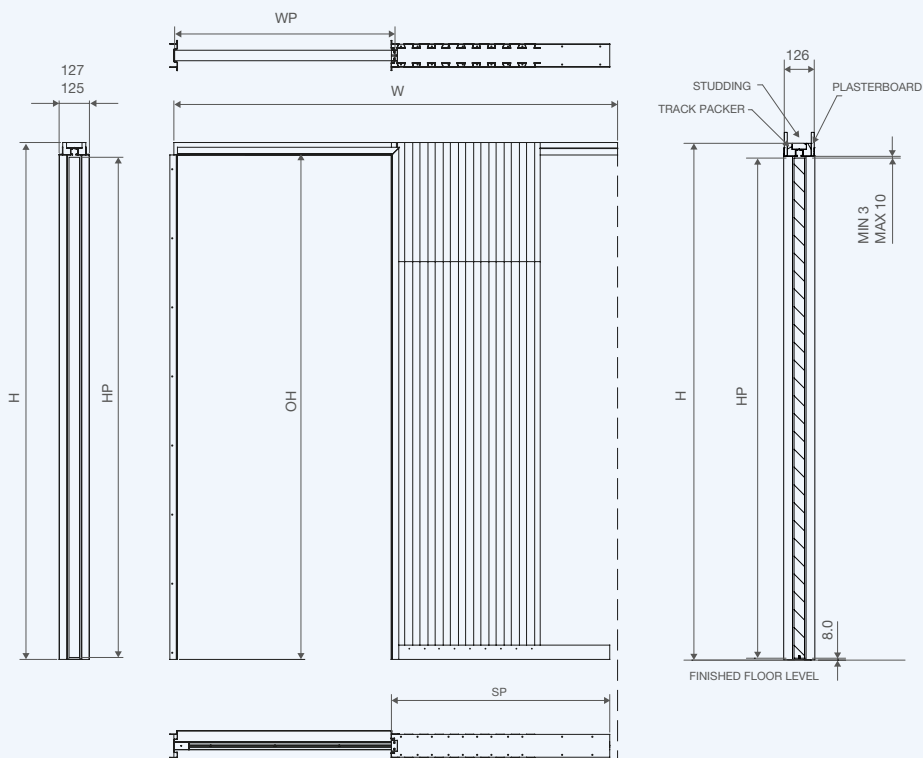
## ARCHITRAVE FREE KIT | P7300

For installations where a minimal aesthetic is required or where the door opening needs to be frameless (i.e. without architrave), Portman offers a range of heavy duty steel door linings. These sections enable the skim coat to be applied and the whole frame is then painted / finished to blend in with the surrounding wall.

As standard, kits accommodate doors 38-44mm thick, kits are also supplied with flush bracket sets. For doors over 2700mm high or 1500mm wide, please contact the sales office. For doors over 2400mm high the use of the P5700 reinforcing kit is recommended

N.B Self closing and simultaneous opening (for double doors) cannot be specified with Architrave free/flush bracket sets. Unless the track is recessed into the ceiling the system will have a minimal light gap at the head.





## SINGLE DOOR

(max. door thickness 44mm)

**To calculate studwork width and height from known door dimensions:**

Studwork width (W) = 2 x Door width (WP) + 12mm

Studwork height (H) = Door height (HP) + 60mm

**To calculate door size from known studwork dimensions:**

Door width (WP) = Studwork width (W) - 12mm / 2

Door height (HP) = Studwork height (H) - 60mm

**Door size opening dimensions:**

Door width (WP) = Door opening width (OP) + 28mm

Door height (HP) = Door opening height (OH) - 15mm

**To calculate door opening width and height from known door dimensions:**

Door opening width (OP) = Door width (WP) - 28mm

Door opening height (OH) = Door height (HP) + 15mm

## KITS

### Standard height (up to 2100mm)

Standard width door leaf

P7300 SDE 626–926mm wide

Intermediate width door leaf

P7300 IDE 927–1300mm wide

Wide door leaf

P7300 WDE 1301–1500mm wide

### Tall height (up to 2700mm)

Tall door leaf

P7300 TDE 626–926mm wide

Tall/Intermediate width door leaf

P7300 ITDE 927–1300mm wide

Tall/Wide door leaf

P7300 WTDE 1301–1500mm wide

## DOUBLE DOORS

(max. door thickness 44mm)

**To calculate studwork width and height from known door dimensions:**

For double doors: (W) = 4 x (WP) + 18mm

For double doors: (H) = (HP) + 60mm

**To calculate door size from known studwork dimensions:**

For double doors: (WP) = (W) - 18mm / 4

For double doors: (HP) = (H) - 60mm

**Door size opening dimensions:**

For double doors: (WP) = (OP) + 32mm / 2

For double doors: (HP) = (OH) - 15mm

**To calculate door opening width and height from known door dimensions:**

For double doors: (OP) = 2 x (WP) - 32mm

For double doors: (OH) = (HP) + 15mm

## KITS

### Standard height (up to 2100mm)

Standard width door leaf

P7300 DDE 626–926mm wide

Intermediate width door leaf

P7300 IDDE 927–1300mm wide

Wide door leaf

P7300 WDDE 1301–1500mm wide

### Tall height (up to 2700mm)

Tall door leaf

P7300 TDDE 626–926mm wide

Tall/Intermediate width door leaf

P7300 ITDDE 927–1300mm wide

Tall/Wide door leaf

P7300 WTDDE 1301–1500mm wide

## + COMPATIBLE ACCESSORIES

- Architectural flush pulls
- Architectural bathroom set
- Pop out pull handle
- Leading edge pull
- Touch latch
- Wall reinforcing kit

## ▢ STANDARD DOOR LEAVES

- Flush
- 2 Panel shadow gap
- 4 Panel recessed
- 4 Panel shaker
- Vertical boarded door
- Glazed door

## ▷ MORE INFORMATION

- Website
- Installation instructions
- CAD files





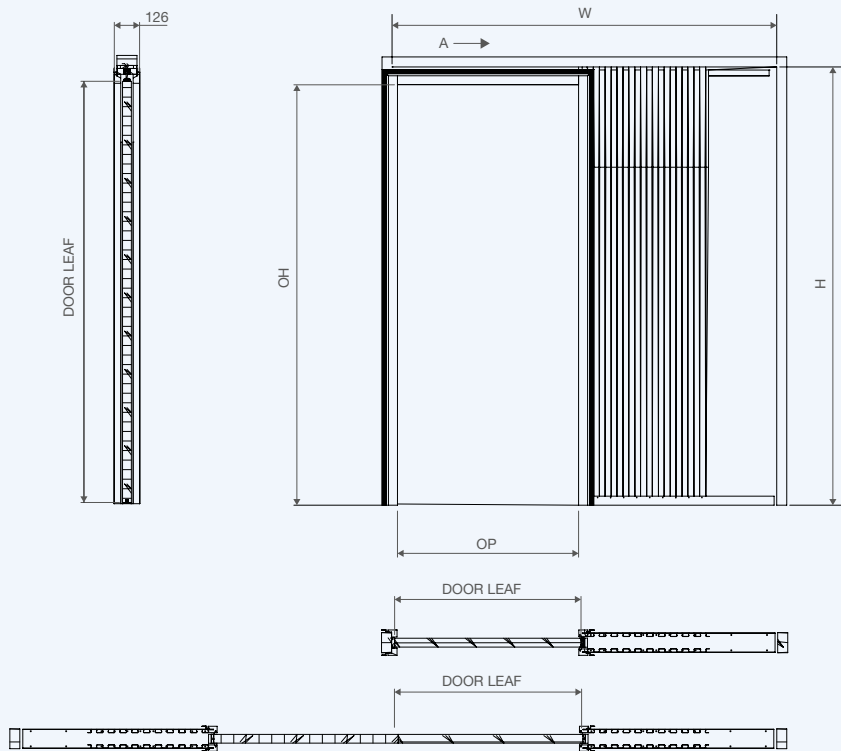
## SHADOW GAP | P7001 SG

---

Our kits are modular with two heights and three widths as standard. The necessary wall aperture dimensions for the single or double Portman pocket door kits can be derived from the calculations and elevations shown on page 9.

Portman Standard Kits - our P7001 SG kits include top fixed door brackets and poplar door linings and quick trims creating a shadow gap as well as all the structural components for creating your pocket.

To choose, decide what is your constraining factor. Either the door leaf size OR the available wall aperture will decide what should be specified. Use the calculations below to derive the correct wall aperture or door leaf. For doors over 2700mm high or 1500mm wide, please contact the sales office. Self-closing/damper units and furniture as well as touch latches can be found in accessories. For doors over 2400mm high the use of the P5700 reinforcing kit is recommended.



## SINGLE DOOR

(max. door thickness 44mm)

**To calculate studwork width and height from known door dimensions:**

Studwork width (W) = 2 x Door width (WP) + 66mm

Studwork height (H) = Door height (HP) + 85mm

**To calculate door size from known studwork dimensions:**

Door width (WP) = Studwork width (W) - 66mm / 2

Door height (HP) = Studwork height (H) - 85mm

**Door size opening dimensions:**

Door width (WP) = Door opening width (OP) + 23mm

Door height (HP) = Door opening height (OH) + 4mm

**To calculate door opening width and height from known door dimensions:**

Door opening width (OP) = Door width (WP) - 23mm

Door opening height (OH) = Door height (HP) - 4mm

## KITS

### Standard height (up to 2100mm)

Standard width door leaf  
P7001 SD SG 626–926mm wide

Intermediate width door leaf  
P7001 ID SG 927–1300mm wide

Wide width door leaf  
P7001 WD SG 1301–1500mm wide

### Tall height (up to 2700mm)

Tall door leaf  
P7001 TD SG 626–926mm wide

Tall/Intermediate width door leaf  
P7001 ITD SG 927–1300mm wide

Tall/Wide door leaf  
P7001 WTD SG 1301–1500mm wide

## DOUBLE DOORS

(max. door thickness 44mm)

**To calculate studwork width and height from known door dimensions:**

For double doors: (W) = 4 x (WP) + 94mm

For double doors: (H) = (HP) + 85mm

**To calculate door size from known studwork dimensions:**

For double doors: (WP) = ((W) - 94mm) / 4

For double doors: (HP) = (H) - 85mm

**Door size opening dimensions:**

For double doors: (WP) = (OP) + 34mm / 2

For double doors: (HP) = (OH) + 4mm

**To calculate door opening width and height from known door dimensions:**

For double doors: (OP) = (2 x (WP) - 34mm)

For double doors: (OH) = (HP) - 4mm

## KITS

### Standard height (up to 2100mm)

Standard width door leaf  
P7001 SDD SG 626–926mm wide

Intermediate width door leaf  
P7001 IDD SG 927–1300mm wide

Width door leaf  
P7001 WDD SG 1301–1500mm wide

### Tall height (up to 2700mm)

Tall door leaf  
P7001 TDD SG 626–926mm wide

Tall/Intermediate width door leaf  
P7001 ITDD SG 927–1300mm wide

Tall/Wide door leaf  
P7001 WTDD SG 1301–1500mm wide

## + COMPATIBLE ACCESSORIES

- Architectural flush pulls
- Architectural bathroom set
- Pop out pull handle
- Leading edge pull
- Touch latch
- Catch-n-close damper unit
- Self closer
- Self closer with 24V DC EM hold back
- Self closer with 230V DC EM hold back
- Simultaneous operation kit
- Wall reinforcing kit

## ▢ STANDARD DOOR LEAVES

- Flush
- 2 Panel shadow gap
- 4 Panel recessed
- 4 Panel shaker
- Vertical boarded door
- Glazed door

## ▶ MORE INFORMATION

Website



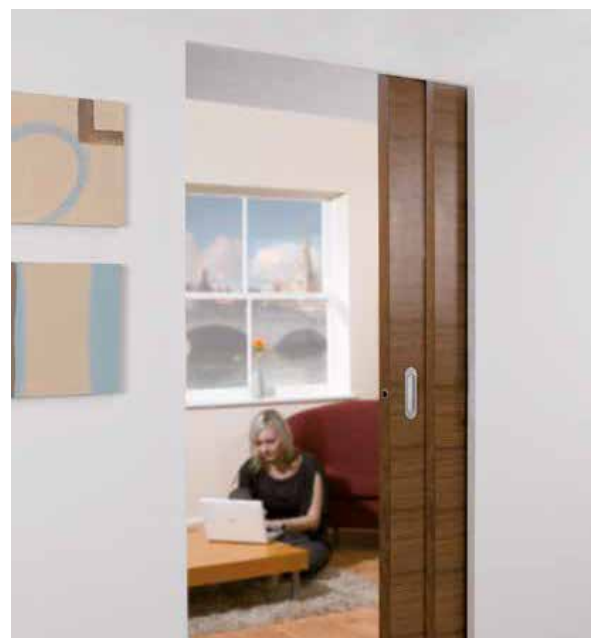


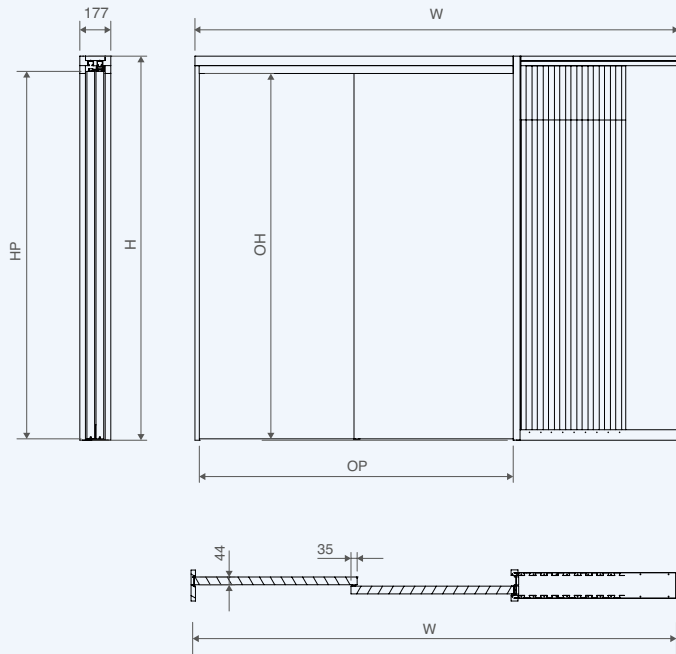
## TELESCOPIC DOORSET | P7401

The Portman telescopic doorset effectively allows two door leaves to be concealed within one wall (on the same side) and almost a double span to be traversed.

The door leaves are linked via a toothed belt and pulley system so as the user extracts the first door leaf the second is gently brought along with it and conversely the opposite happens when the doors are concealed back within the wall. The doorset is non handed and timber framing is supplied offset, as only one leaf makes contact with the closing jamb. Due to the location of the door top components, self closing, soft close and touch latches are not suitable for use with telescopic kits. For aesthetics it is worth considering having a return on the second door leaf to conceal the gap when both doors are in the closed position. For further guidance please contact the sales office.

For doors over 2400mm high the use of the P5700 reinforcing kit is recommended.





## SINGLE DOOR

(max. door thickness 44mm)

### To calculate studwork width and height from known door dimensions:

Studwork width (W) = 3 x Door width (WP) + 7mm

Studwork height (H) = Door height (HP) + 85mm

### To calculate door size from known studwork dimensions:

Door width (WP) = Studwork width (W) - 7mm / 3

Door height (HP) = Studwork height (H) - 85mm

### Door size opening dimensions:

Door width (WP) = Door opening width (OP) + 58mm / 2

Door height (HP) = Door opening height (OH) + 4mm

### To calculate door opening width and height from known door dimensions:

Door opening width (OP) = 2 x Door width (WP) - 58mm

Door opening height (OH) = Door height (HP) - 4mm

## KITS

### Standard height (up to 2100mm)

Standard width door leaf

P7400 SD 626–926mm wide

P7401 SD Inclusive of timber door linings

Intermediate width door leaf

P7400 ID 927–1300mm wide

P7401 ID Inclusive of timber door linings

### Tall height (up to 2700mm)

Tall door leaf

P7400 TD 626–926mm wide

P7401 TD Inclusive of timber door linings

Tall/intermediate width door leaf

P7400 ITD 927–1300mm wide

P7401 ITD Inclusive of timber door linings

## DOUBLE DOORS

For double door applications please contact sales office.

## + COMPATIBLE ACCESSORIES

- Architectural flush pulls
- Pop out pull handle
- Leading edge pull
- Wall reinforcing kit

## ▣ STANDARD DOOR LEAVES

- Flush
- 2 Panel shadow gap
- 4 Panel recessed
- 4 Panel shaker
- Vertical boarded door
- Glazed door

## ▶ MORE INFORMATION

- Website
- Installation instructions
- CAD files



ARCHITECT: Craft Architects | PHOTOGRAPHER: Agness Clark

## PORTMAN POWER KIT | PWSS

---

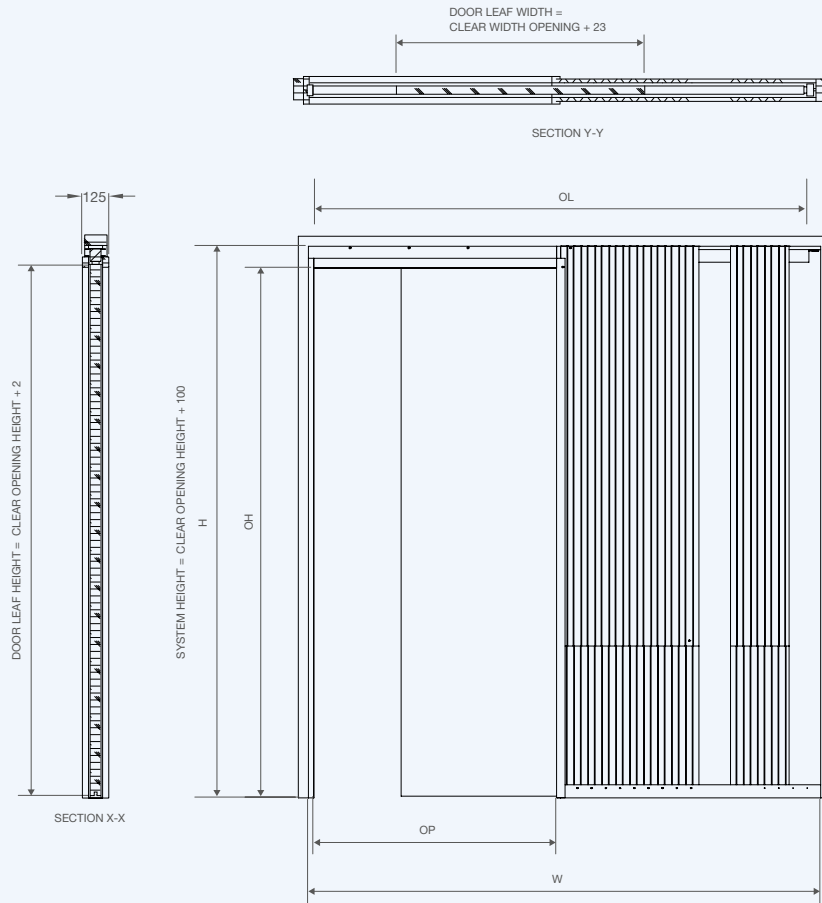
The Portman power operated system can be used in a single or double door leaf bi-parting configuration. The opening and closing speed depends on the door leaf's weight and it can be infinitely adjusted via a potentiometer.

The system accommodates a wide variety of functionality from Power assisted "Push & Go" through to push button operated.

A variety of additional activators such as PIR and/or safety sensors can also be built into the system.

NOT suitable for Fire Rated applications.

- Electromechanical sliding door operator for internal doors between 20kg and 80kg
- Adjustable opening and closing speed
- Adjustable hold open delay WC function (requires additional electromechanical lock)
- Self learning position initialisation set up Mains powered via fused spur or 13amp plug. No requirement for independent power supply
- Integrated "Push & Go" function - small manual movement engages operator
- Close cycle safety stop. When door hits obstacle door auto opens
- Option to add push button open/close (requires separate buttons)
- Option to add additional safety sensors
- Power failure, default manual operation



## + COMPATIBLE ACCESSORIES

Architectural flush pulls  
Wall reinforcing kit

## ▣ STANDARD DOOR LEAVES

Flush  
2 Panel shadow gap  
4 Panel recessed  
4 Panel shaker  
Vertical boarded door  
Glazed door

## ▶ MORE INFORMATION

Website  
Installation instructions

## KITS

### Standard (2100mm and tall 2700)

System	Minimum clear opening width	Maximum clear opening width	System width
Standard width door leaf PWSS200SD/PWSS200TD	737mm	861mm	1845mm
Intermediate width door leaf PWSS200ID/ PWSS200ITD	862mm	986mm	2095mm
Wide door leaf PWSS200WD/PWSS200WD	987mm	1111mm	2345mm

For door individual door leaf weights between 20kg and 80kg  
For double door applications please contact the sales office

#### To calculate studwork width and height from known door dimensions:

Studwork width (W) = Operating length (OL) - 79mm  
Studwork height (H) = Door height (HP) + 90mm

#### To calculate door height from known studwork height:

Door height (HP) = Studwork height (H) - 90mm

#### To calculate the door size from known door opening dimensions:

Door width (WP) = Door opening width (OP) + 23mm  
Door height (HP) = Door opening height (OH) + 2mm

#### To calculate door opening width and height from known door dimensions:

Door opening width (OP) = Door width (WP) - 23mm  
Door opening height (OH) = Door height (HP) - 2mm



## STANDARD FIRE RATED | FD30

### STANDARD PLASTERBOARD LINED FRAMES

Portman can provide both single and double door systems that are certified for use with FD30 door leaves. The Portman FD30 system allows for an approved\* single door leaf of up to 2700mm high and 1500mm wide. This unique assembly opens up new opportunities to create innovative designs and room layouts freedom of choice allows once again for a consistent aesthetic with other doors in the vicinity.

Profiled timber door linings come complete with intumescent fire seals and pre-cut and formed plasterboard sections to be wrapped around the sub-frame, all providing exceptional fire integrity.

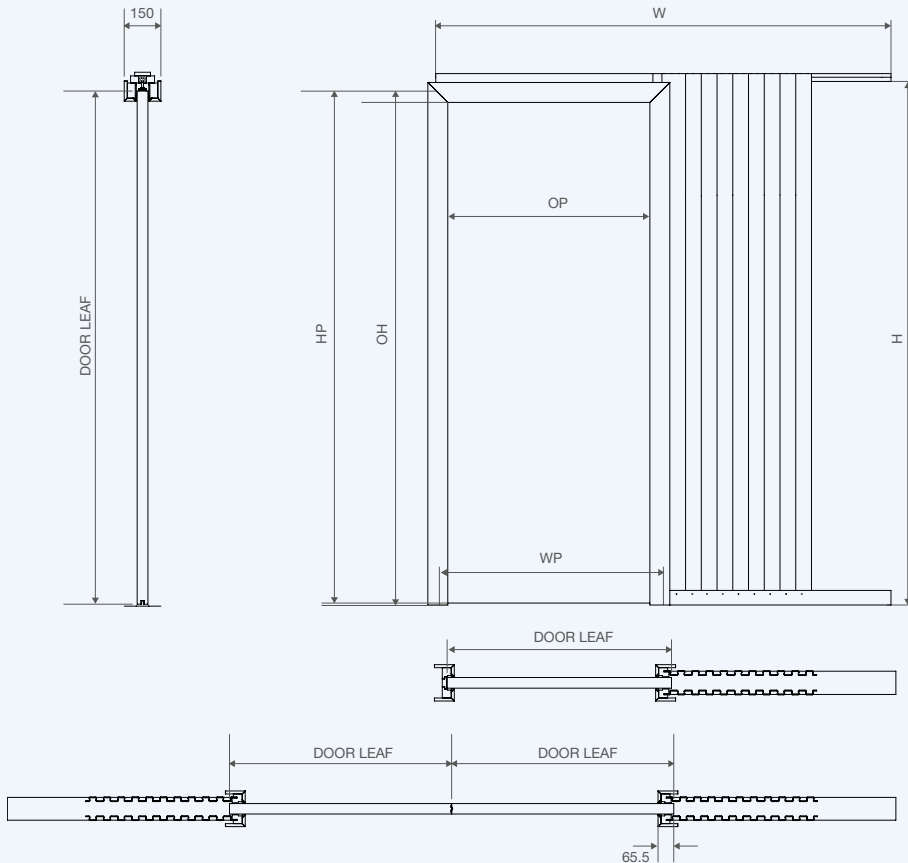
For double doors the FD30 system allows for an approved height of up to 2700mm x 1180mm or 1900mm height x 1500mm width and must incorporate door leaves of a specific construction type to comply with the scope of certification, please see attached assessment or contact the sales office for further information.

### SHADOW GAP AND TIMBER LINED FRAMES

For the hardwood timber lined option please add the -SG suffix to the standard part ref. Please see installation guidance for aesthetic details on this kit

For doors over 2400mm high the use of the P5700 reinforcing kit is recommended.

\*\*\*FIRE RATED KITS MUST BE INSTALLED AS PER FITTING INSTRUCTIONS TO COMPLY WITH CERTIFICATION\*\*\*



## SINGLE DOOR

(max. door thickness 44mm)

### To calculate studwork width and height from known door dimensions:

Studwork width (W) = 2 x Door width (WP)

+ 20mm

Studwork height (H) = Door height (HP)

+ 85mm

### To calculate door size from known studwork dimensions:

Door width (WP) = (Studwork width (W)

- 20mm) / 2

Door height (HP) = Studwork height (H)

- 85mm

### Door size opening dimensions:

Door width (WP) = Door opening width (OP)

+ 95mm

Door height (HP) = Door opening height (OH)

+ 33mm

### To calculate door opening width and height from known door dimensions:

Door opening width (OP) = Door width (WP)

- 95mm

Door opening height (OH) = Door height (HP)

- 33mm

## KITS

### Standard height (up to 2100mm)

Standard width door leaf

PFD30 SD 626–926mm wide

Intermediate width door leaf

PFD30 ID 927–1250mm wide

Wide door leaf

PFD30 WD 1251–1500mm wide

### Tall height (up to 2700mm)

Tall door leaf

PFD30 TD 626–926mm wide

Tall/Intermediate width door leaf

PFD30 ITD 927–1250mm wide

Tall/Wide door leaf

PFD30 WTD 1251–1500mm wide

## DOUBLE DOORS

(max. door thickness 44mm)

### To calculate studwork width and height from known door dimensions:

For double doors (W) = 4 x Door width (WP)

For double doors (H) = Door height (HP)

+ 85mm

### To calculate door size from known studwork dimensions:

For double doors (WP) = (W) / 4

For double doors (HP) = (H) - 85mm

### Door size opening dimensions:

For double doors (WP) = (OP) + 131mm / 2

For double doors (HP) = (OH) + 33mm

### To calculate door opening width and height from known door dimensions:

For double doors (OP) = 2 x (WP) - 131mm

For double doors (OH) = (HP) - 33mm

## KITS

### Standard height (up to 2100mm)

Standard width door leaf

PFD30 DD 626–926mm wide

Intermediate width door leaf

PFD30 IDD 927–1058mm wide

### Tall height (up to 2700mm)

Tall door leaf

PFD30 TDD 626–926mm wide

Intermediate width door leaf

PFD30 ITDD 927–1058mm wide

For the hardwood timber lined option please add the -SG suffix to the standard part ref

## + COMPATIBLE ACCESSORIES

Architectural flush pulls

Architectural bathroom set

Pop out pull handle

Leading edge pull

Touch latch

Catch-n-close damper unit

Self closer

Self closer with 24V DC EM

hold back

Self closer with 230V DC EM

hold back

Simultaneous operation kit

Wall reinforcing kit

## ▣ STANDARD DOOR LEAVES

Flush

2 Panel shadow gap

4 Panel recessed

4 Panel shaker

Vertical boarded door

Glazed door

## ▷ MORE INFORMATION

Website

Installation instructions

Installation instructions - SG

IFC Report

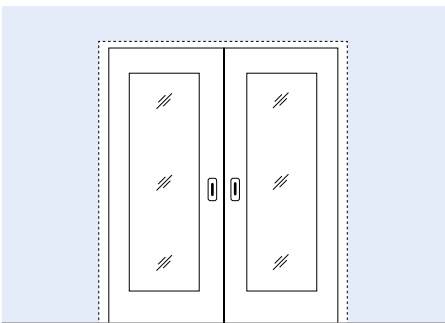


Portman Pocket Doors fire data is sourced, supplied and verified by independent, UKAS-accredited test facilities in accordance with British standard BS476: Part 22: 1987.

The Portman FD30 kit (PHFD30) exceeded the required 36 minute run time (30minutes +20% overrun) during the FD30 fire tests for both doubles and singles.



## DURING THE 2023 PRIMARY FIRE TESTING THE RANGE HAD SEVERAL NOTABLE IMPROVEMENTS



Flush pulls can be 60mm from leading edge to flush pull edge for both doubles and singles. Improving from the market norm of 100mm.



PH7045 (Sprung leading edge finger pull) now covered for fire.

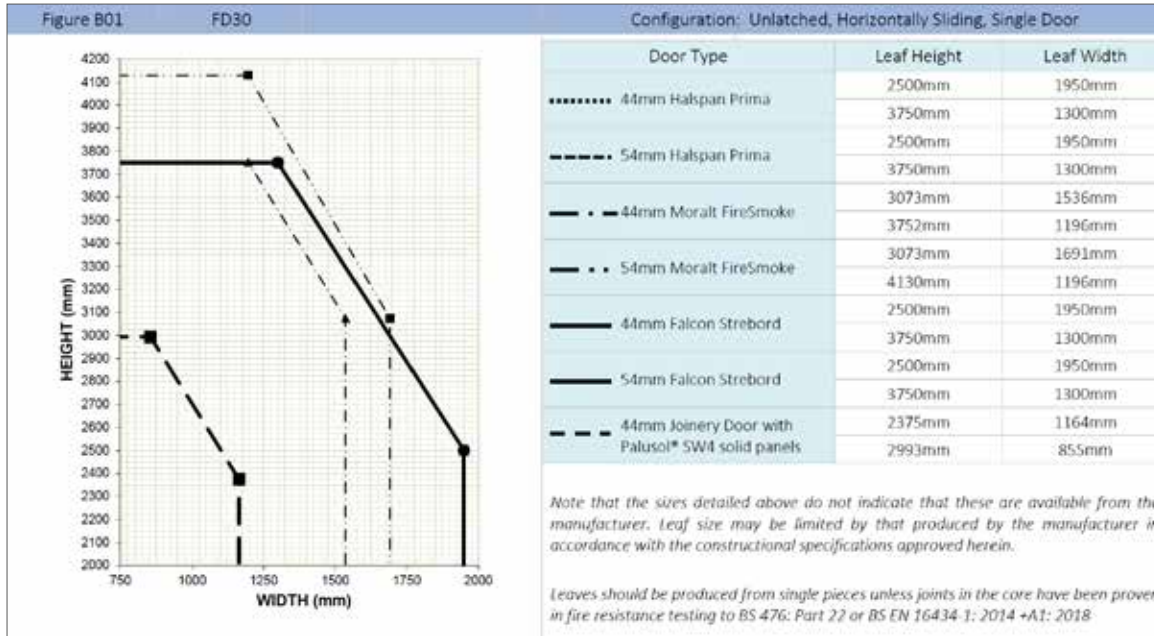


PH7150B – Rectangular flush pull bathroom lock & PH5080B Circular flush pull bathroom lock now covered for fire.

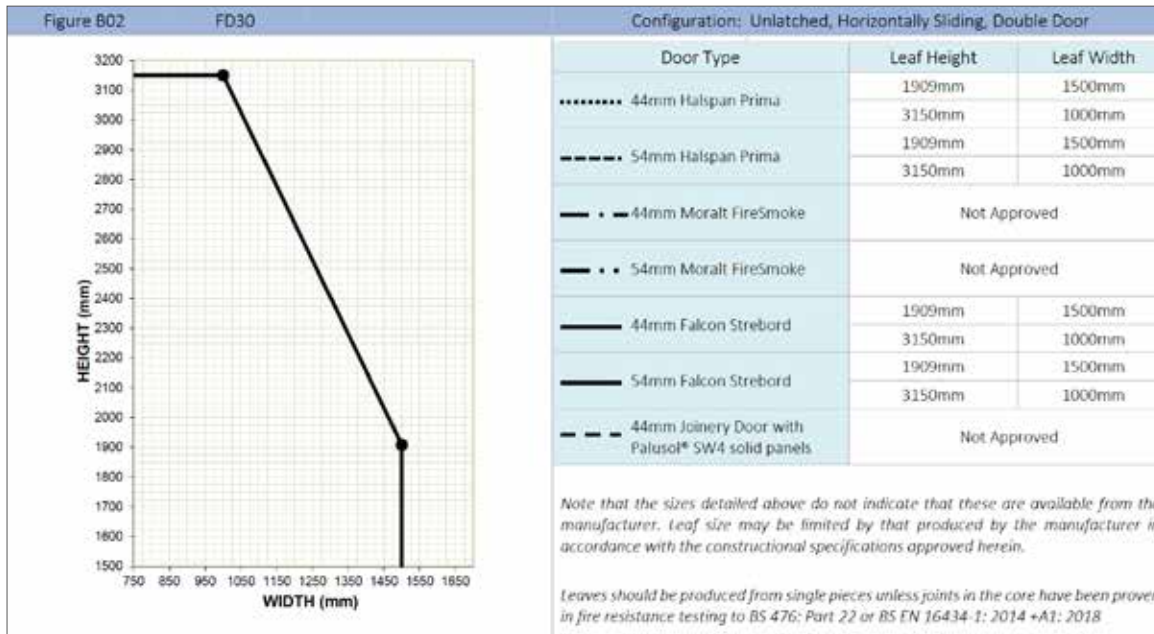
## NOTES ON THE USE OF DOOR LEAVES WITHIN FIRE RATED KITS

- Door materials and construction are, in most instances, prescriptive and need to conform to scope of certification
- Any ironmongery needs to conform to scope of certification and in most instances intumescent will be necessary
- Particular attentions needs to be paid in using approved fire rated glass/glazing
- Any decorative door facing details (panel/glazing etc) need to be offset to appear central once installed

Portman PFD30 system is rated for large door sizes, for single up to 2700mm (H) x 1500mm (W) doors.



For doubles up to 2700mm (H) x 1180mm (W) or 1900mm (H) x 1500mm (W) doors.



## ▶ FoA REPORT

IFC Report PAR/10790/01  
Revision D



## FIELD OF APPLICATION – SAFE BY DESIGN

The Portman Field of Application report outlines a lot of information for permissible details with regards to door size, weight, installation, door styles, door finishes, and approved hardware. It is always advised to contact the sale office if you have any specialist requirements to ensure our supplied doors and hardware are compliant.

Prior to manufacture Portman's Design Team will prepare bespoke technical drawings providing all dimensions and hardware specifications for your proposed fire door, ensuring a well-proportioned door has been designed, whilst also maintaining its full compliance within the Field of Application Report.

## FLUSH

Flush doors are simple door designs that have plain facings on both sides and are often kept deliberately simple in appearance to highlight other features nearby, or so as not to be intrusive

Portman 44mm thick flush doors have a solid graduated density chipboard core @ approx 28kg m<sup>2</sup>, and have a solid timber perimeter affixed on all four edges to better aid morticing and/or fitting of hardware.

Doors can be supplied primed ready for site painting or pre painted. Should the door have a timber veneer applied then the direction of the grain for the veneer can be either horizontal, as is usually the case with sliding doors or vertical to match other doors in the vicinity.

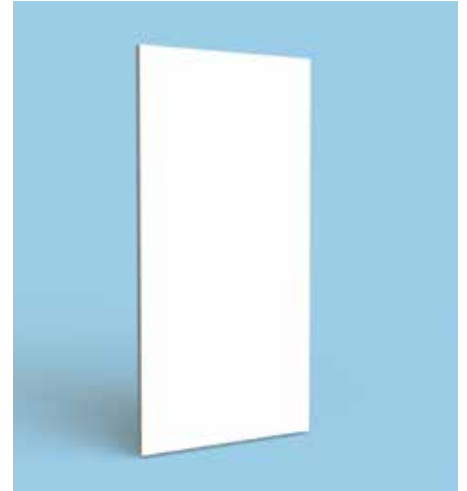
These doors have a flush (flat) surface without any decorative features, hence their name.

### FINISHES (see page 25)

White, primed, ash, cherry, maple, oak, walnut and sapele.

### + COMPATIBLE KITS

Standard kits	page 8
Architrave free kits	page 10
Shadow gap	page 12
Telescopic kits	page 14
Fire rated   FD30 kits	page 18



## 2 PANEL SHADOW GAP

A 20mm wide x 4mm deep shadow gap groove detail, to create a 2 panelled door effect. The panel is full thickness to the door. For a contemporary and modern look. Looks best in both veneered, and also painted for a clean aesthetic.

Care must be taken when using any door being installed within a pocket where the door includes decorative features in the faces.

This is to ensure that those features are central as intended when the door is in the closed position, as some of the door edges are concealed within the frame when the door is closed. In most situations the decorative features will need to be offset slightly to maintain the visual aspect as intended.

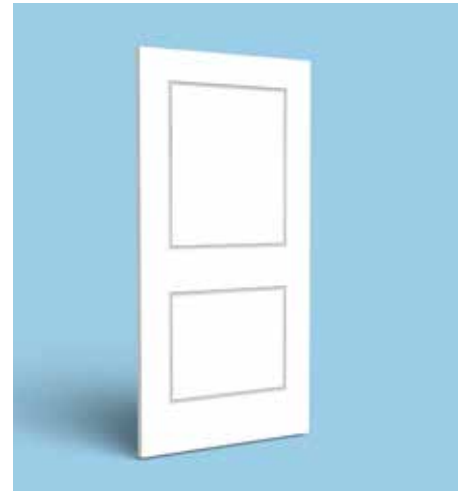
Doors with decorative features in the faces also need particular care when being installed in Fire Rated kits to ensure they comply with the scope of the Fire Certification. Please contact sales@portman-pocketdoors.co.uk office with any questions.

### FINISHES (see page 25)

White, primed, ash, cherry, maple, oak, walnut and sapele.

### + COMPATIBLE KITS

Standard kits	page 8
Architrave free kits	page 10
Shadow gap	page 12
Telescopic kits	page 14
Fire rated   FD30 kits	page 18



**Our design engineers are happy to work with you to create a bespoke door outside of our popular range. Manufacturing drawings are provided for sign off as standard.**

## 4 PANEL RECESSED

A traditional 4 panelled door, the panel depths are recessed. The lock rail also allows for suitable morticing should a privacy look be required. Looks great in both natural timber and painted finish.

Care must be taken when using any door being installed within a pocket where the door includes decorative features in the faces.

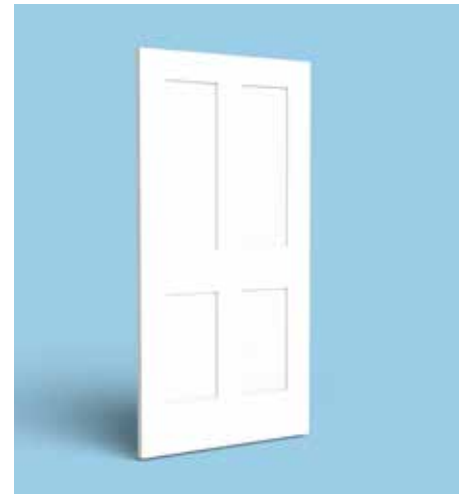
This is to ensure that those features are central as intended when the door is in the closed position, as some of the door edges are concealed within the frame when the door is closed. In most situations the decorative features will need to be offset slightly to maintain the visual aspect as intended.

Doors with decorative features in the faces also need particular care when being installed in Fire Rated kits to ensure they comply with the scope of the Fire Certification. Please contact sales@portman-pocketdoors.co.uk with any questions.

### FINISHES (see page 25)

White, primed, ash, cherry, maple, oak, walnut and sapele.

<b>+</b> COMPATIBLE KITS	
Standard kits	page 8
Architrave free kits	page 10
Shadow gap	page 12
Telescopic kits	page 14
Fire rated   FD30 kits	page 18



## 4 PANEL SHAKER

4 panels positioned vertically. Looks great in both natural timber and painted finish for a modern look. Glass options available.

Care must be taken when using any door being installed within a pocket where the door includes decorative features in the faces.

This is to ensure that those features are central as intended when the door is in the closed position, as some of the door edges are concealed within the frame when the door is closed. In most situations the decorative features will need to be offset slightly to maintain the visual aspect as intended.

Doors with decorative features in the faces also need particular care when being installed in Fire Rated kits to ensure they comply with the scope of the Fire Certification. Please contact sales@portman-pocketdoors.co.uk with any questions.

### FINISHES (see page 25)

White, primed, ash, cherry, maple, oak, walnut and sapele.

<b>+</b> COMPATIBLE KITS	
Standard kits	page 8
Architrave free kits	page 10
Shadow gap	page 12
Telescopic kits	page 14
Fire rated   FD30 kits	page 18



**Our design engineers are happy to work with you to create a bespoke door outside of our popular range. Manufacturing drawings are provided for sign off as standard.**

## VERTICAL BOARDED DOOR

A door made of 2 full height stiles, bottom and top rail and to a maximum 6 internal boards. A classic, rustic styling. Looks great in a natural timber finish.

Care must be taken when using any door being installed within a pocket where the door includes decorative features in the faces.

This is to ensure that those features are central as intended when the door is in the closed position, as some of the door edges are concealed within the frame when the door is closed. In most situations the decorative features will need to be offset slightly to maintain the visual aspect as intended.

Doors with decorative features in the faces also need particular care when being installed in Fire Rated kits to ensure they comply with the scope of the Fire Certification. Please contact sales@portman-pocketdoors.co.uk with any questions.

### FINISHES (see page 25)

White, primed, ash, cherry, maple, oak, walnut and sapele.

+ COMPATIBLE KITS	
Standard kits	page 8
Architrave free kits	page 10
Shadow gap	page 12
Telescopic kits	page 14
Fire rated   FD30 kits	page 18



## GLAZED DOOR

A glazed option, to maximise sunlight, and create more openness between rooms. Looks great in both natural timber and painted finish for a modern look.

Care must be taken when using any door being installed within a pocket where the door includes decorative features in the faces. This is to ensure that those features are central as intended when the door is in the closed position, as some of the door edges are concealed within the frame when the door is closed. In most situations the decorative features will need to be offset slightly to maintain the visual aspect as intended.

Glazed doors also need particular care when being installed in Fire Rated kits to ensure they comply with the scope of the Fire Certification as only certain sizes of glazed area are permissible.

### FINISHES (see page 25)

White, primed, ash, cherry, maple, oak, walnut and sapele.

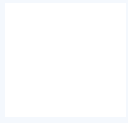
+ COMPATIBLE KITS	
Standard kits	page 8
Architrave free kits	page 10
Shadow gap	page 12
Telescopic kits	page 14
Fire rated   FD30 kits	page 18



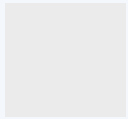
**Our design engineers are happy to work with you to create a bespoke door outside of our popular range. Manufacturing drawings are provided for sign off as standard.**

---

## FINISHES



White



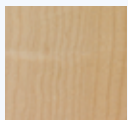
Primed



Ash



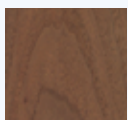
Cherry



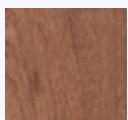
Maple



Oak



Walnut



Sapele

Veneered finishes are typically supplied with clear lacquer, 20% sheen. Veneered can be supplied as sand finish/unfinished for onsite colour matching and French polishing.

Other finishes are available, please contact sales office to discuss.

---



# ARCHITECTURAL BATHROOM SET

The Portman PH bathroom latch set includes a hookbolt bathroom lock and privacy set, maintaining the same aesthetic as our PH architectural flush pull handles.

Although it suits doors 38-54mm as standard, uniquely the entire assembly is designed to fit flush within the thickness of a standard 44mm thick door so that no edges project beyond the door face. The hookbolt is thrown and retracted with a vertical action which many users find easier than the typical small and fiddly rotational bathroom sets available on the market.

Included red "engaged" flag to both sides.

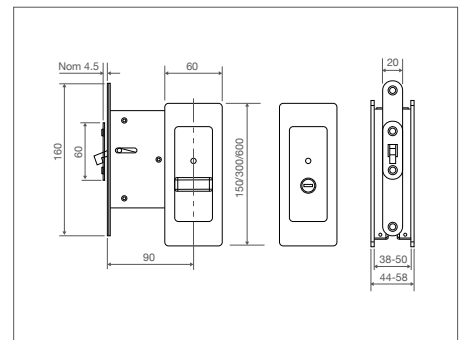
Suitable for installation in FD30 applications when fitted with IP7150B, IP7300B or IP7600B intumescent packs.

## FINISHES (see page 29)

SSS, PSS, PNP, SNP, WHI, FMB, ABR, SBL, PBL, IBUL, OBZ, DBZ.

## + COMPATIBLE KITS

- Standard kits page 8
- Architrave free kits page 10
- Shadow gap page 12
- Fire rated | FD30 kits page 18



# ARCHITECTURAL FLUSH PULLS

Portman PH range of architectural flush pull handles are unique and comprise the latest laser cut stainless parts allied with an unrivalled range of aesthetic finish options. All flush pulls are designed to be bonded into the door face with two installation options available, either the 3mm faceplate set proud of the door face, or for a minimalist finish a two step mortice with 5mm radii to faceplate corners, this enables the entire pull handle to be set in flush with the face of the door.

Sold in pairs complete with 25mm door end pull.

Suitable for installation in FD30 applications when fitted with IP7150, IP7300 or IP7600 intumescent packs.

## SIZES

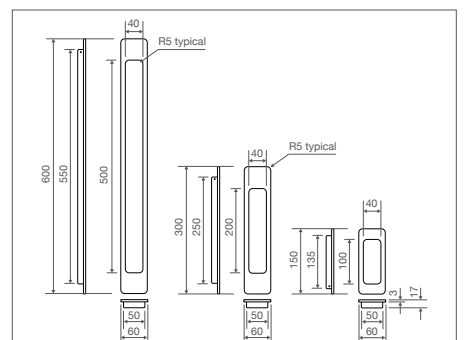
- 150mm
- 300mm
- 600mm

## FINISHES (see page 29)

SSS, PSS, PNP, SNP, WHI, FMB, ABR, SBL, PBL, IBUL, OBZ, DBZ.

## + COMPATIBLE KITS

- Standard kits page 8
- Architrave free kits page 10
- Shadow gap page 12
- Telescopic kits page 14
- Fire rated | FD30 kits page 18



## PARTS

- PH7150 150 x 60 x 17mm
- PH7300 300 x 60 x 17mm
- PH7600 600 x 60 x 17mm

## ARCHITECTURAL CIRCULAR TWIST & TURN LOCK

The Portman circular twist and turn lock includes a twist and turn privacy set maintaining the same aesthetic as our circular flush pulls

Although it suits doors 38-54mm as standard, uniquely the entire assembly is designed to fit flush within the thickness of a standard 44mm thick door so that no edges project beyond the door face. The hookbolt is thrown and retracted with a vertical action which many users find easier than the typical small and fiddly rotational bathroom sets available on the market.

Suitable for installation in FD30 applications when fitted with IP5080 B intumescent packs.

### PARTS

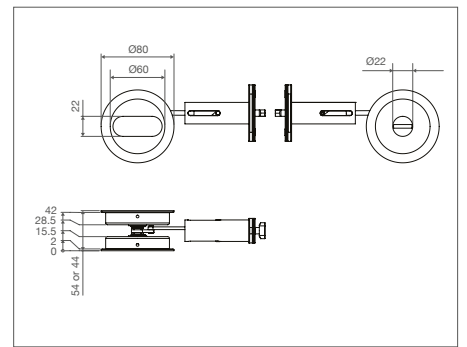
PH5080 B

### FINISHES (see page 29)

SSS, PSS, PNP, SNP, WHI, FMB, ABR, SBL, PBL, IBUL, OBZ, DBZ.

### + COMPATIBLE KITS

Standard kits	page 8
Architrave free kits	page 10
Shadow gap	page 12
Fire rated   FD30 kits	page 18



## ARCHITECTURAL CIRCULAR FLUSH PULLS

Portman PH range of architectural flush pull handles are unique and comprise the latest laser cut stainless parts allied with an unrivalled range of aesthetic finish options. All flush pulls are designed to be bonded into the door face with two installation options available, either the 3mm faceplate set proud of the door face, or for a minimalist finish a two step mortice, this enables the entire pull handle to be set in flush with the face of the door.

Sold in pairs complete with 25mm door end pull.

Suitable for installation in FD30 applications when fitted with IP5080 intumescent packs.

### PARTS

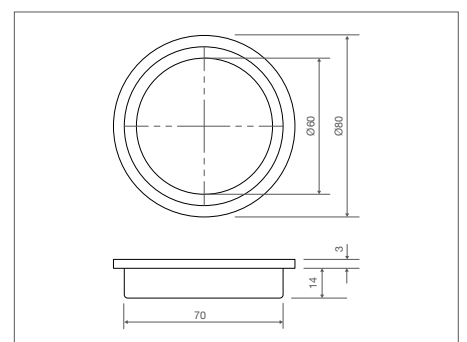
PH5080 80 dia. x 17mm

### FINISHES (see page 29)

SSS, PSS, PNP, SNP, WHI, FMB, ABR, SBL, PBL, IBUL, OBZ, DBZ.

### + COMPATIBLE KITS

Standard kits	page 8
Architrave free kits	page 10
Shadow gap	page 12
Telescopic kits	page 14
Fire rated   FD30 kits	page 18





---

## FINISHES

- SSS Satin stainless steel (320 fine grit) to faceplate and to recess.
- PSS Bright Polished stainless steel to faceplate, recess satin stainless steel fine grit.
- PNP Slightly softer and whiter in colour than PSS, nickel plate also has self levelling properties which make for a slightly smoother final finish. Polished nickel to faceplate, recess satin nickel plate.
- SNP Satin nickel plate, to faceplate and to recess.
- WHI White Powdercoat RAL 9003 semi gloss, other RAL colours are available, please contact the sales office.
- FMB Flat Matt Black. Fine grade Powdercoat with exceptionally flat and smooth finish.
- ABR Antique Brass, to faceplate and to recess. Electrobrass plated vertically distressed giving high and low lights, lacquer sealed.
- SBL Satin Brass Lacquered. Satin brass plate to faceplate and recess. Protective lacquer sealed to assist durability and prevent patination.
- PBL Polished Brass Lacquered. Polished brass plate to faceplate satin brass to recess. Protective lacquer sealed to assist durability and prevent patination.
- IBUL Imitation Bronze. Electrobrass plated patina'd to a rich mid brown/bronze colour, lacquer sealed.
- OBZ Old Bronze, to faceplate and to recess. Electrobrass plated artificially patina'd and relieved giving high and low lights, lacquer sealed.
- DBZ Dark Bronze, to faceplate and to recess. Electrobrass plated heavy patination and gently relieved giving rich dark brown/black colour, lacquer sealed.
- 



## CATCH-N-CLOSE DAMPER UNIT

Soft Close/Open unit only, (complete with non-handed fixing bracket) for doors 798mm to 1500mm\* and up to 80kg.

The Catch-n-Close Unit gently catches the door absorbing some of the momentum, pulling the door to its final closed/open position. Manually resets on door opening or closing.

### PART

PC13F Damper only, (complete with non-handed fixing bracket) for doors up to 80kg.

### + COMPATIBLE KITS

Standard kits	page 8
Shadow gap	page 12
Fire rated   FD30 kits	page 18

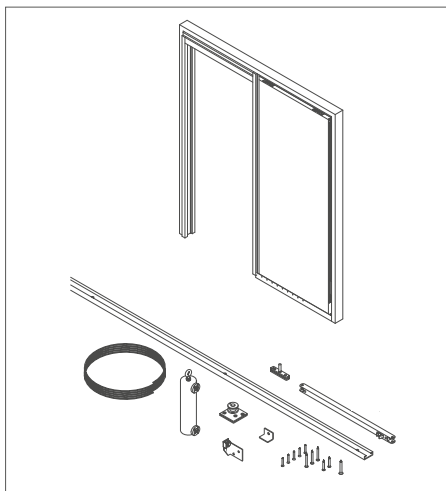


## SELF CLOSERS

Self-closer (uncontrolled) with soft close damper. For doors 798mm to 1500mm wide\*.

### DOOR WEIGHT OPTIONS

- C20-SD1 Single Doors OR PC20-DD1 Double Doors, up to 40kg
- PC20-SD2 Single Doors OR PC20-DD2 Double Doors, 40-80kg
- PC20-SD3 Single Doors OR PC20-DD3 Double Doors, 80-120kg

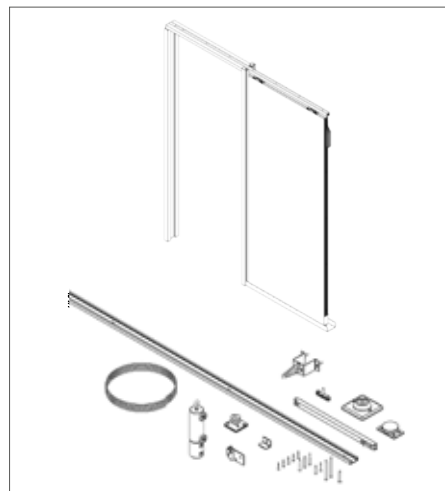


\*For doors under 798mm wide please contact the sales team for suitability.

Self-closer (uncontrolled) with damper; complete 230V AC magnetic hold-open/release. For doors up to 40kg -120kg and 798mm to 1500mm wide\*.

### DOOR WEIGHT OPTIONS

- PC24-FSD Single Doors OR PC24-FDD Double Doors, up to 40kg
- PC25-FSD Single Doors OR PC25-FDD Double Doors, 40-80kg
- PC26-FSD Single Doors OR PC26-FDD Double Doors, 80-120kg



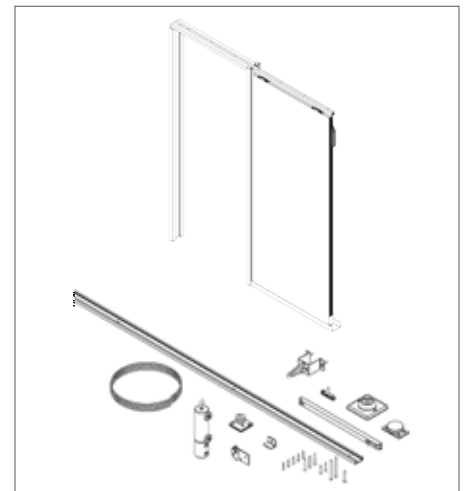
### + COMPATIBLE KITS

Standard kits	page 8
---------------	--------

Self-closer (uncontrolled) with damper; complete 24V DC magnetic hold-open/release. For doors up to 40kg -120kg and 798mm to 1500mm wide\*.

### DOOR WEIGHT OPTIONS

- PC21-FSD Single Doors OR PC21-FDD Double Doors, up to 40kg
- PC22-FSD Single Doors OR PC22-FDD Double Doors, 40-80kg
- PC23-FSD Single Doors OR PC23-FDD Double Doors, 80-120kg



Fire rated   FD30 Kits	page 18
------------------------	---------

## TOUCH LATCH | P7598

With a gentle press the Portman quick release “touch latch” gently ejects the door leaf from the pocket and removes the need for a finger pull to be fitted on the leading edge of the door.

95 x 30 x 60mm door mounted touch latch

Deploys door leaf 30mm

Replaces track mounted catch/magnet

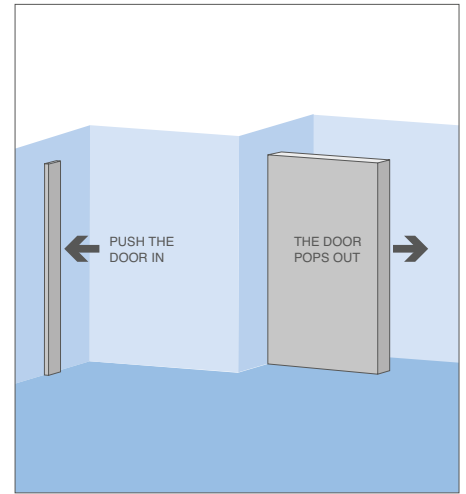
Can be used with self-closer/damper options

Suitable for door leaves up to 70kg

Not suitable for aggressive use where doors get slammed open

### + COMPATIBLE KITS

Standard kits	page 8
Architrave free kits	page 10
Shadow gap	page 12
Fire rated   FD30 kits	page 18



## WALL REINFORCING KIT | P5700

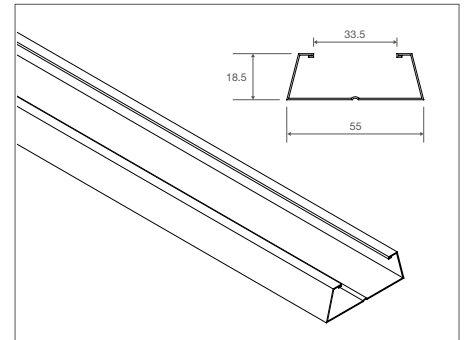
The P5700 kit is designed for use with pocket kits whereby the door leaf exceeds 2400mm high.

The kit comprises of 4no 3m lengths as pictured which are to be cut to length on site.

The struts are fixed to the dovetail profile and will sit between the dovetail sheet and the plasterboard, providing extra wall stability.

### + COMPATIBLE KITS

Standard kits	page 8
Architrave free kits	page 10
Shadow gap	page 12
Telescopic kits	page 14
Fire rated   FD30 kits	page 18



## SIMULTANEOUS OPERATION KIT

These kits are used to link two doors (in a double door Portman kit), so that when the user opens or closes one door the operation is mirrored on the other door.

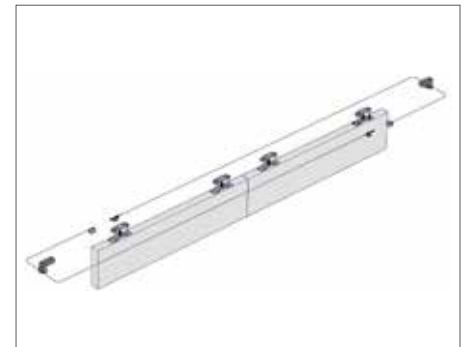
### PARTS

P755 Simultaneous kit for double doors, each door leaf up to 926mm wide.

P757 Simultaneous kit for double doors, each door leaf up to 1300mm wide.

### + COMPATIBLE KITS

Standard kits	page 8
Shadow gap	page 12
Fire rated   FD30 kits	page 18



# FRAMELESS GLASS | DOOR CLAMPS



Within the Portman an additional glass door kit can be supplied to accommodate frameless glass door leaves. These kits use specialist glass door clamps containing a safety pin and, for the P880/1280, a clamp covering profile.

## P1280

Maximum individual door leaf weight 80Kg

Suitable for glass panels between 8-12mm thick

For door leaves up to 1280mm wide

Glass panel to be supplied by specialist manufacturer

Includes:

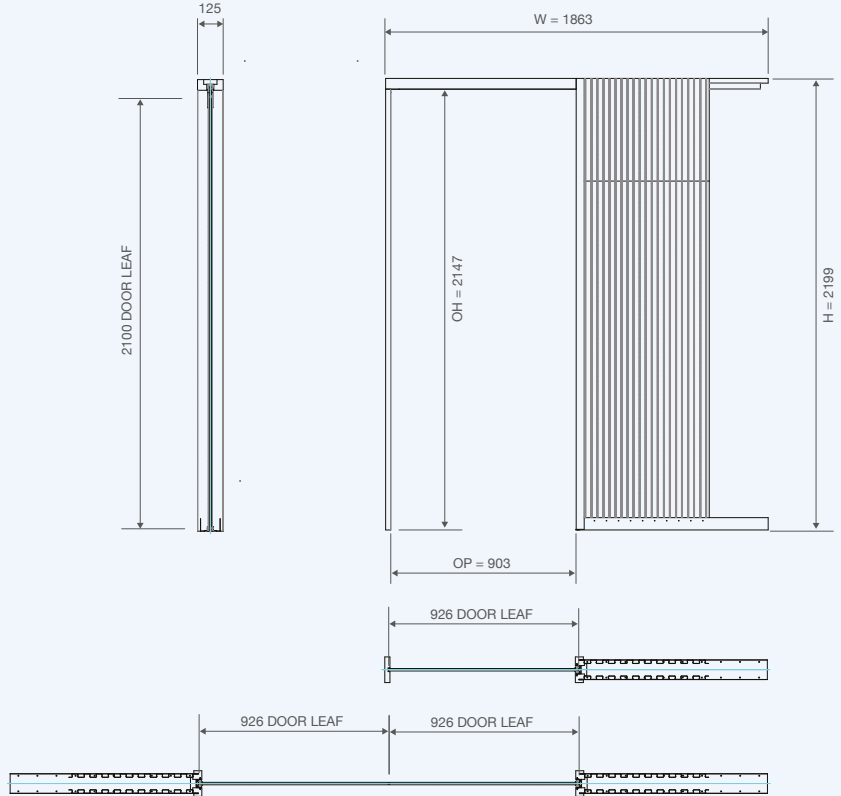
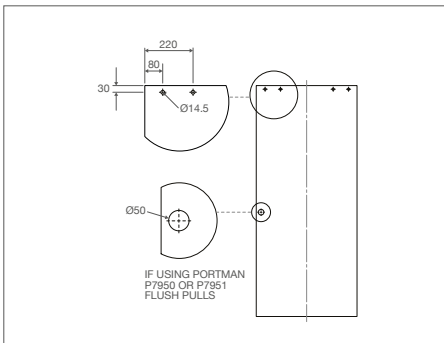
Glass door clamps

Full width glass door valence

Valence end caps

Door bottom guide, to suit frameless glass leaves

## DOOR DRILLING POSITIONS



## SINGLE DOOR

**To calculate studwork width and height from known door dimensions:**

Studwork width (W) = 2 x Door width (WP) + 11mm  
 Studwork height (H) = Door height (HP) + 91mm

**To calculate door size from known studwork dimensions:**

Door width (WP) = (Studwork width (W) - 11mm) / 2  
 Door height (HP) = Studwork height (H) - 91mm

**To calculate door size from known door opening dimensions:**

Door width (WP) = Door opening width (OP) + 23mm  
 Door height (HP) = Door opening height (OH) - 47mm

**To calculate door opening width and height from known door dimensions:**

Door opening width (OP) = Door width (WP) - 23mm  
 Door opening height (OH) = Door height (HP) + 47mm

**To calculate valance length width and cutting positions from known door dimensions:**

Standard with valance (VI) = Door width (WP) + 2mm  
 Standard width cutting positions (VC) = 929 - (VI) / 2

## DOUBLE DOORS

**To calculate studwork width and height from known door dimensions:**

For double doors (W) = 4 x Door width (WP) - 10mm  
 For double doors (H) = Door height (HP) + 91mm

**To calculate door size from known studwork dimensions:**

For double doors (WP) = (W) + 16mm / 4  
 For double doors (HP) = (H) - 91mm

**To calculate door size from known door opening dimensions:**

For double doors (WP) = (OP) + 28mm / 2  
 For double doors (HP) = (OH) - 47mm

**To calculate door opening width and height from known door dimensions:**

For double doors (OP) = 2 x (WP) - 28mm  
 For double doors (OH) = (HP) + 47mm

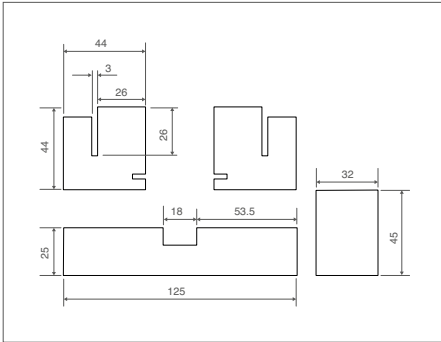
**To calculate valance length width and cutting positions from known door dimensions:**

Intermediate and wide valance length (VI) = Door width (WP) + 2mm  
 Intermediate and wide cutting positions: 1503 - (VI) / 2

## FRAMELESS GLASS | TIMBER JAMBS

The below timber jamb sets are to be used in addition to the Standard pocket door kits (suffixed "0") on pages 8 and 9, and P1280 glass door clamps above.

Jamb sets are supplied complete with brush seals.



### SINGLE DOOR KITS

- PGTKS 125 Standard single door kit
- PGTKSW 125 Intermediate/wide single door kit
- PGTKST 125 Tall standard single door kit
- PGTKSWT 125 Tall intermediate/wide single door kit

### DOUBLE DOORS KITS

- PGTKDS Standard double door kit
- PGTKDT Tall double door kit

For intermediate/wide double jamb sets please contact the sales office.

# BEFORE & AFTER



**Before** with hinged doors.



**After** with Portman Pocket doors maximising the available space.



