


PORTMAN



Portman PH range of flush pull handles are unique and comprise the latest laser cut stainless parts allied with an unrivalled range of aesthetic finish options.

An 80mm circular version is accompanied by three standard rectangular options, 150mm, 300mm and 600mm long.

All flush pulls are designed to be bonded into the door face, two installation options are available, either the 3mm faceplate set proud of the door face or for a more minimalist finish 5mm radii to faceplate corners enable the entire pull handle to be set in flush with the face of the door.

Suitable for installation in FD30 applications when fitted with IP5080, IP7150, IP7300 or IP7600 intumescent packs 

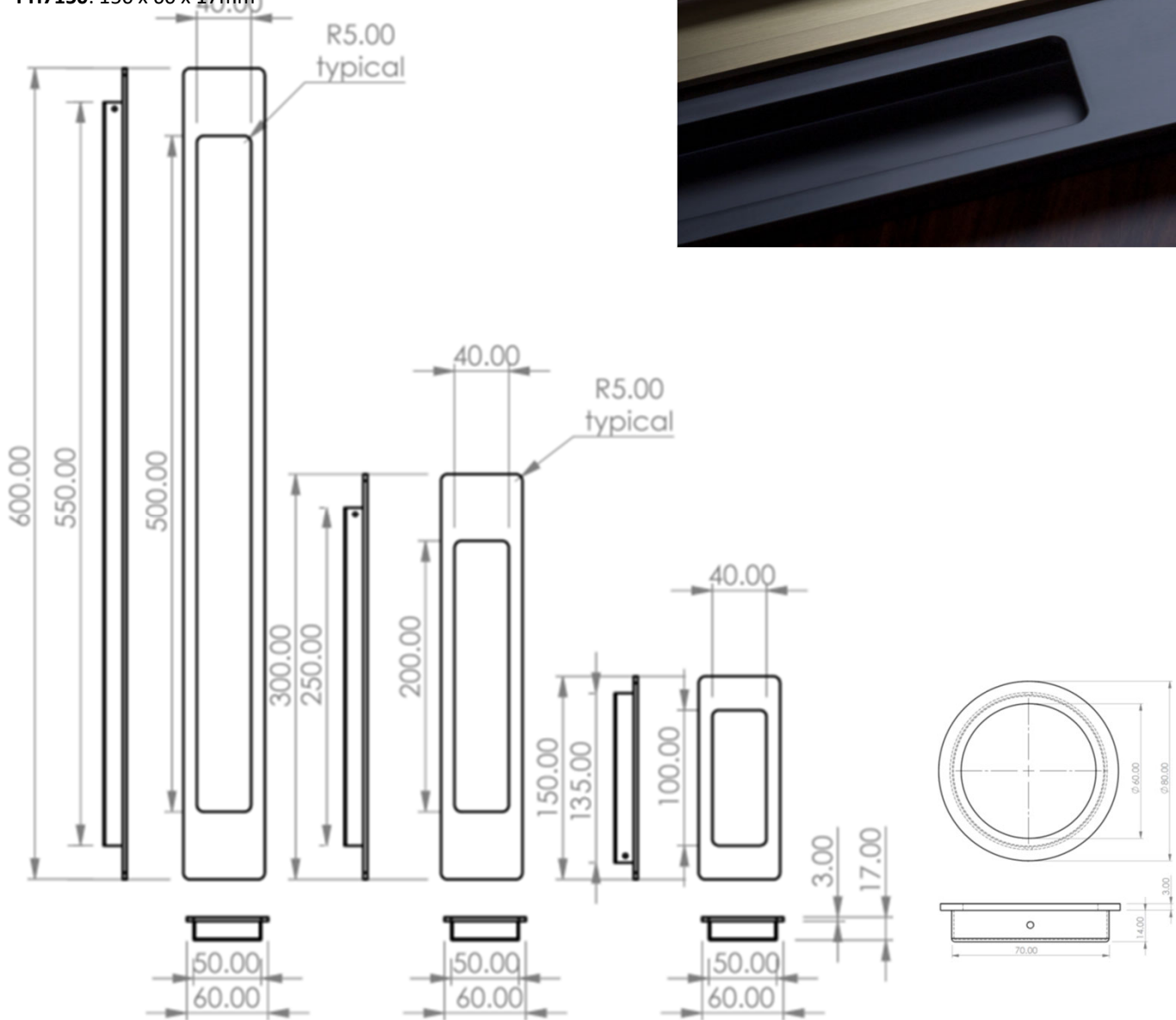
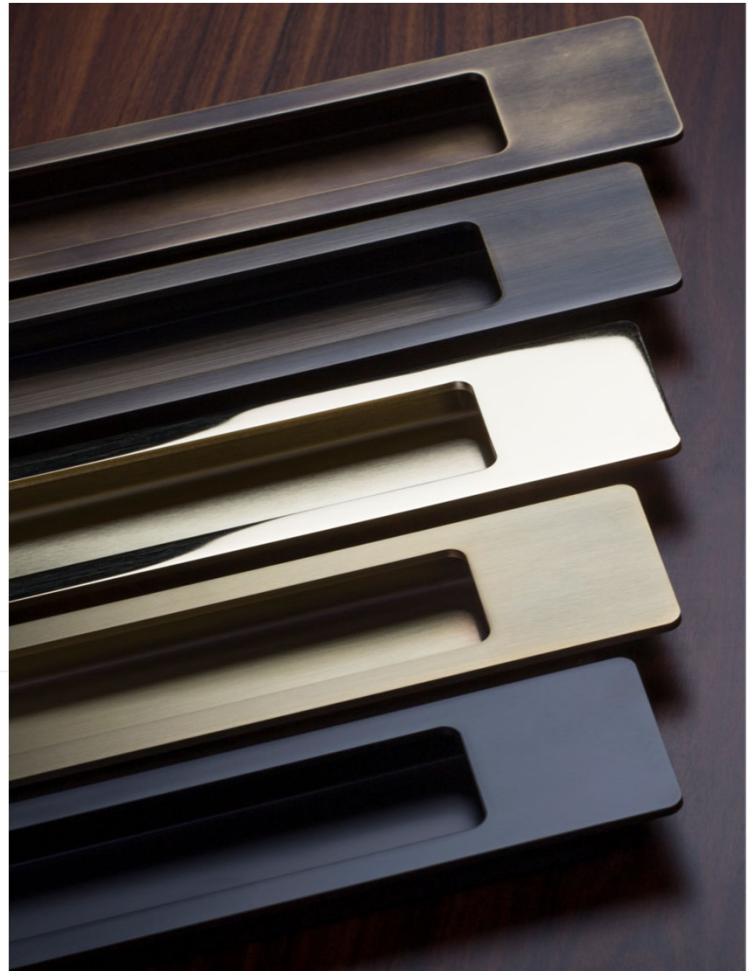
Parts;

PH5080: 80mm dia. X 17mm Circular flush pulls

PH7600: 600 x 60 x 17mm

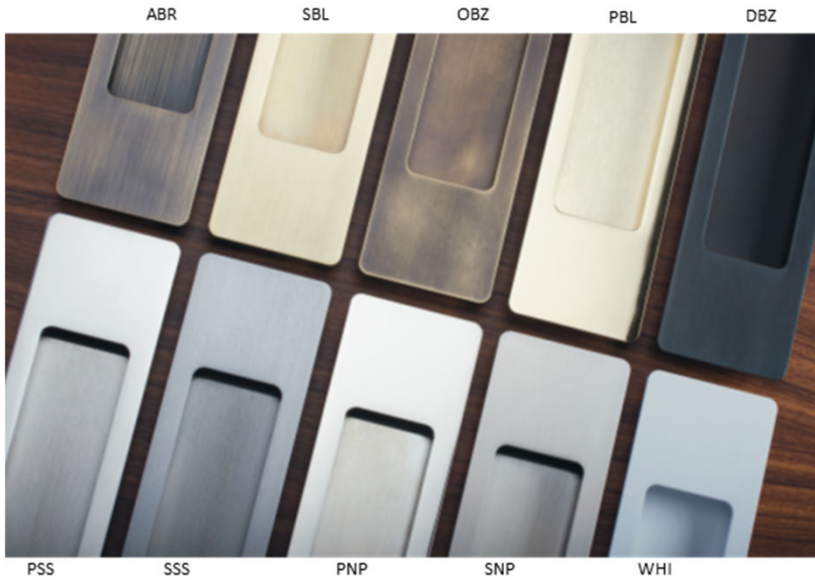
PH7300: 300 x 60 x 17mm

PH7150: 150 x 60 x 17mm



Installation for FD30 doors (when installed in FD Portman kits)

Pull handles must be minimum 100mm from the leading edge of the door, please see Field of Application report under Fire Doors section (pages 47-49)



Finishes:

WHI: White Powdercoat RAL 9003 semi gloss, other RAL colours are available, please contact the sales office

FMB: Flat Matt Black. Dead flat.

SSS: Satin stainless steel (320 fine grit) to faceplate and to recess.

PSS: Bright Polished stainless steel to faceplate, recess satin stainless steel fine grit

PNP: Slightly softer and whiter in colour than PSS, nickel plate also has self levelling properties which make for a slightly smoother final finish.

Polished nickel to faceplate, recess satin nickel plate

SNP: Satin nickel plate, to faceplate and to recess

ABR: Antique Brass, to faceplate and to recess. Electrobrass plated vertically distressed giving high and low lights, lacquer sealed.

SBL: Satin Brass Lacquered. Satin brass plate to faceplate and recess. Protective lacquer sealed to assist durability and prevent patination.

PBL: Polished Brass Lacquered. Polished brass plate to faceplate satin brass to recess. Protective lacquer sealed to assist durability and prevent patination.

IBUL: Imitation Bronze. Electrobrass plated patina'd to a rich mid brown/bronze colour, lacquer sealed

OBZ: Old Bronze, to faceplate and to recess. Electrobrass plated and patina'd, relieved giving high and low lights, lacquer sealed.

DBZ: Dark Bronze, to faceplate and to recess. Electrobrass plated heavy patination and gently relieved giving rich dark brown/black colour, lacquer sealed.

