

# PORTMAN

*Portman Sliding Door Gear*

*Timber/Frames Doors*

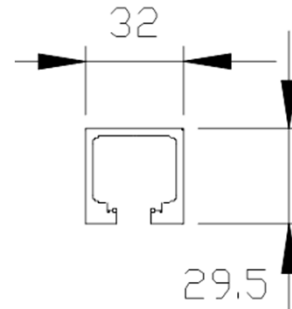
*Frameless Glass Doors*



## Portman Sliding Door Gear – Timber/Framed door leaves

### Top track

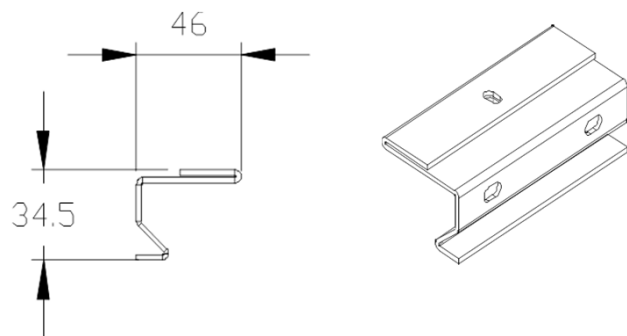
- Portman top tracks are suitable for door leaves of up to 80kg as standard
- Material is 6063T6 aluminium alloy anodised to 15 microns
- Liquid cooled to maintain a more uniform controlled cooling throughout the profile and a more precise and uniform hardening of the Aluminium.
- Painted white as standard (natural aluminium or black may be available as special order)
- Pre-drilled to suit top hanging



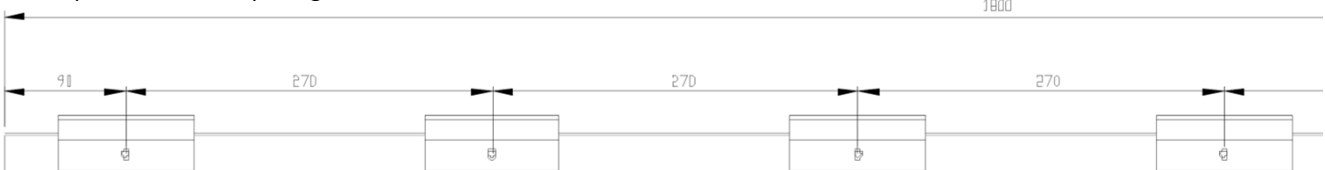
PT718-WHI:	1.8m long track
PT720-WHI:	2m long track
PT730-WHI:	3m long track
PT740-WHI:	4m long track

### Track side mounts

P701: Side mount brackets enable the track to be face fixed to the wall (rather than soffit/top hung). Recommended 1no each 270mm of track



### Example side mount spacing



# Portman Sliding Door Gear – Timber/Framed door leaves



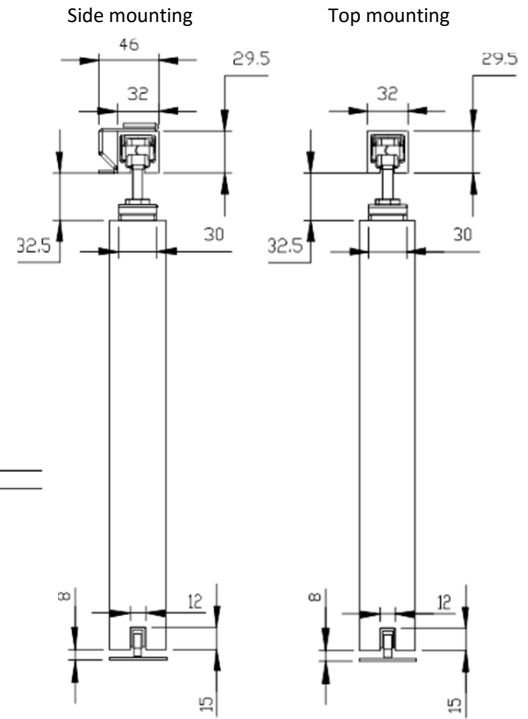
## Portman standard hanging gear

P700S: Portman standard sliding door gear to suit individual timber/framed door leaves up to 80kg as standard, comprising:

- 2no stainless steel trolleys with needle roller bearing wheels
- 2no stainless steel door hangers,
- 2no buffered adjustable track mounted end stops
- 1no stainless T shaped door bottom guide
- 2no M8 hanging bolts and locking nuts
- 12no 80mm posi head Spax door mounting screws and adjustment spanner.

For use with Portman PT tracks.

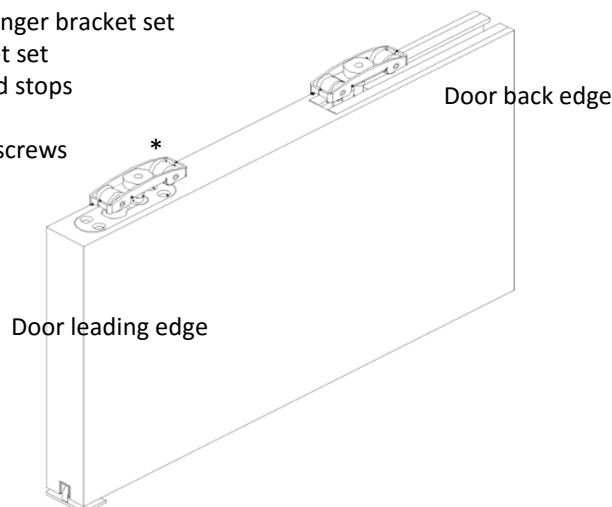
Recommend door bottom channel, 701-026 (926mm) or 701-027 (1500mm)



## Portman flush hanging gear

P700F: Portman Flush bracket sliding door gear to suit individual timber/framed door leaves up to 80kg as standard, comprising:

- 2no stainless steel trolleys with needle roller bearing wheels
- 1no stainless steel concealed front door hanger bracket set
- 1no aluminium concealed rear door bracket set
- 2no buffered adjustable track mounted end stops
- 1no stainless T shaped door bottom guide
- 7no 50mm posi head Spax door mounting screws and adjustment spanner.
- P700FF: Variant using 2no Leading edge hangers (\*)



For use with Portman PT tracks.

Recommend door bottom channel,  
701-026 (926mm) or 701-027 (1500mm)

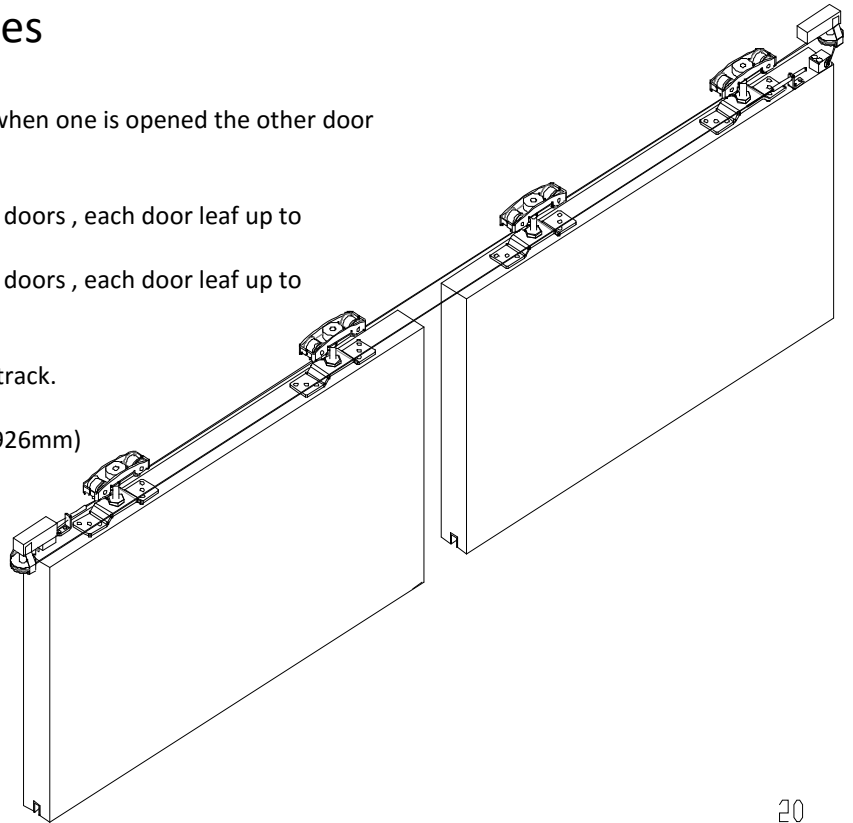
# Portman Sliding Door Gear – Timber/Framed door leaves

## Simultaneous kits

P755 and P757 kits link a pair of door so that when one is opened the other door leaf retracts and visa versa. Kits comprising:

- P755:\* Simultaneous kit for double doors, each door leaf up to 926mm wide
- P757:\* Simultaneous kit for double doors, each door leaf up to 1300mm wide

\*Requires 2no P700S and a suitable length of track.  
For use with Portman PT tracks only  
Recommend door bottom channel, 701-026 (926mm)  
or 701-027 (1500mm)



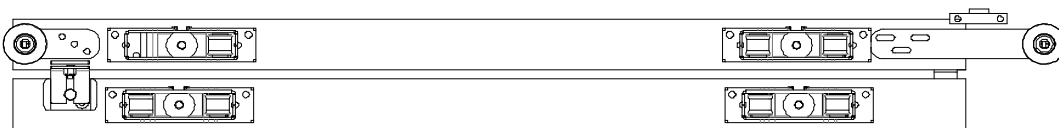
## Telescopic kit (top mounted track only)

P756\* The Portman telescopic kit effectively allows two door leaves to traverse double the span with both doors on the same side. Suits individual door leaves 626-1300mm wide.

Door leaves are linked via a toothed belt and pulley system so as the user pulls the first door leaf the second is gently brought along with it and conversely the opposite happens when the doors are concealed back within the wall. If installing doors within a pocket, for aesthetics, it is worth considering having a return on the second door leaf to conceal the gap when both doors are in the closed position.

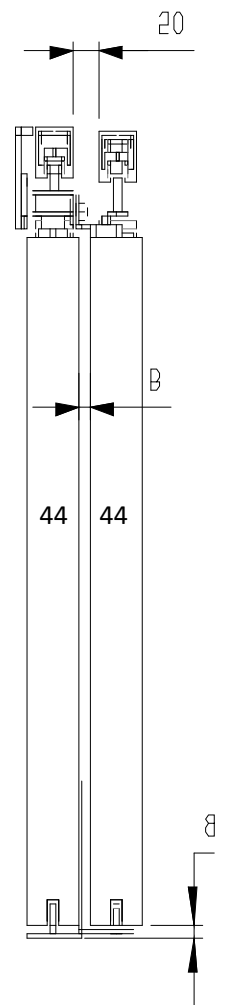
\*Requires 2no suitable lengths of track.

For use with Portman PT tracks.  
Recommend door bottom channels, 701-026 (926mm) or 701-027 (1500mm)



Back edge

Leading edge



# Portman Sliding Door Gear – Frameless Glass door leaves

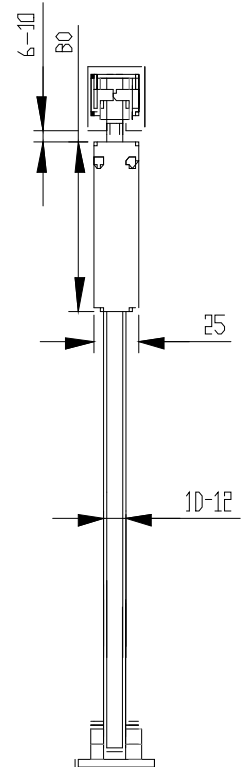
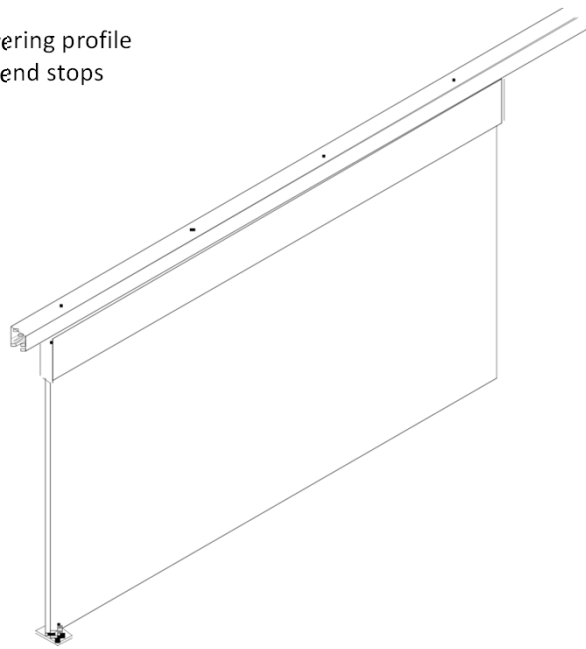
## Portman glass panel hanging gear

PG926: Portman frameless glass door running gear and clamp set to suit frameless glass panel 8-12mm thick and 926mm wide and up to 80kg as standard, comprising:

- 2no stainless steel trolleys with needle roller bearing wheels
- 2no aluminium glass clamp sets
- 1no 80mm x 25mm x 926mm clamp covering profile
- 2no buffered adjustable track mounted end stops
- 1no stainless U door bottom guide
- 2no M8 hanging bolts and locking nuts

For use with Portman PT tracks

PG1500: as above to suit door panel to 1500mm wide



## Accessories

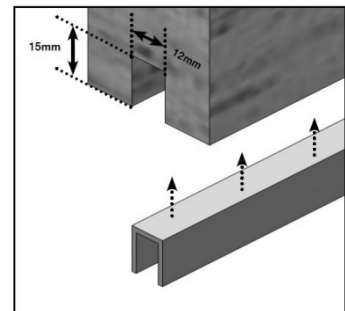
### Door bottom channel

Fitted into door bottom groove (timber/framed door leaves) to provide smoother sliding. Groove can be blind at leading edge if desired.

701- 026: Plastic door bottom U channel 926mm long

701- 027: Plastic door bottom U channel 1500mm long

701-205: Plastic door bottom U channel 2000mm long



### Brush seal

701-028 2100mm length of soft brush seal in T shaped carrier.

Black. Requires kerf groove (as pictured).

Can be used around sliding or pocket door linings

