

PORTMAN

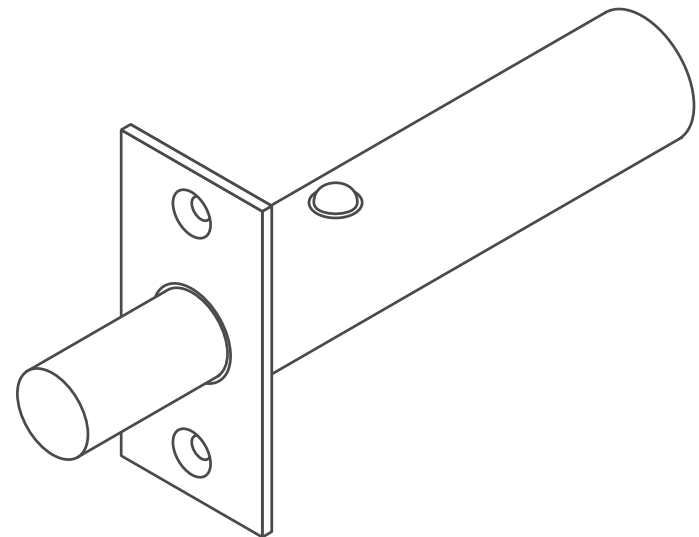
P7598 Touch Latch Fitting Instructions

Not compatible with any Portman PC series of self closing systems.

As per Portman Pocket Door fitting instructions, the rear trolley catch should NOT be fitted when installing a P7598 touch latch.

Components

- Touch latch.
 - Push-off plate.
 - Fixing screws.
-



Step 1

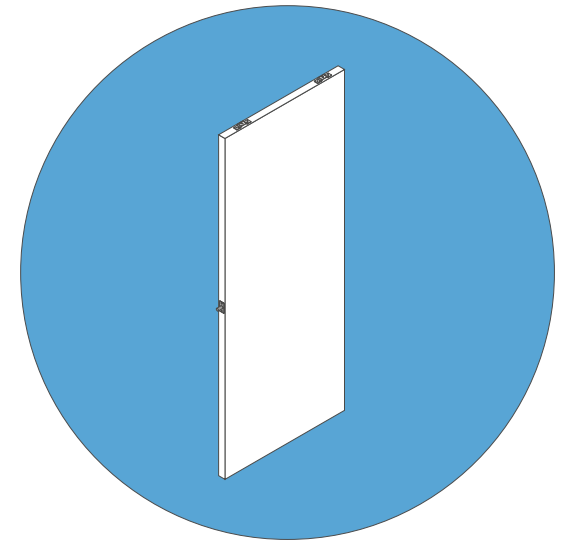
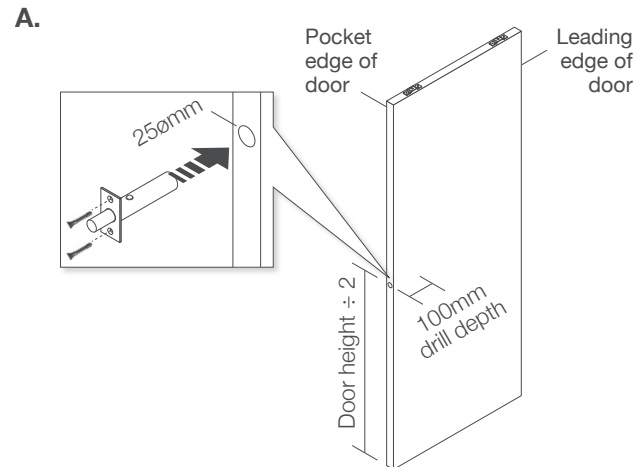
Touch latch

Installation of the touch latch should be undertaken with the door removed from the pocket door kit and prior to the fitting of the plasterboard panels.

- A.** On the pocket edge of the door measure and mark the centre of the door, half way up the height of the door. Using a spade bit, drill a 25ømm hole at this point to a depth of 100mm.

Push the touch latch into this drilled hole and fix in place using the supplied screws.

At this point, hang the door as per the instructions of the kit you are fitting.



Step 2

Push off plate

- A.** Open the door until it is flush with the door frame. Fix supplied push off plate to inside face of rear stud using the supplied screws. Pack this plate if necessary to bring it out so that it touches the rubber stop on the touch latch.

Check that there is no object between the pocket edge of the door and the studwork.

Check operation of touch latch by gently pushing the leading edge of the door, this should result in the door being pushed out of the pocket.

Re-open door to check that the touch latch re-engages.

